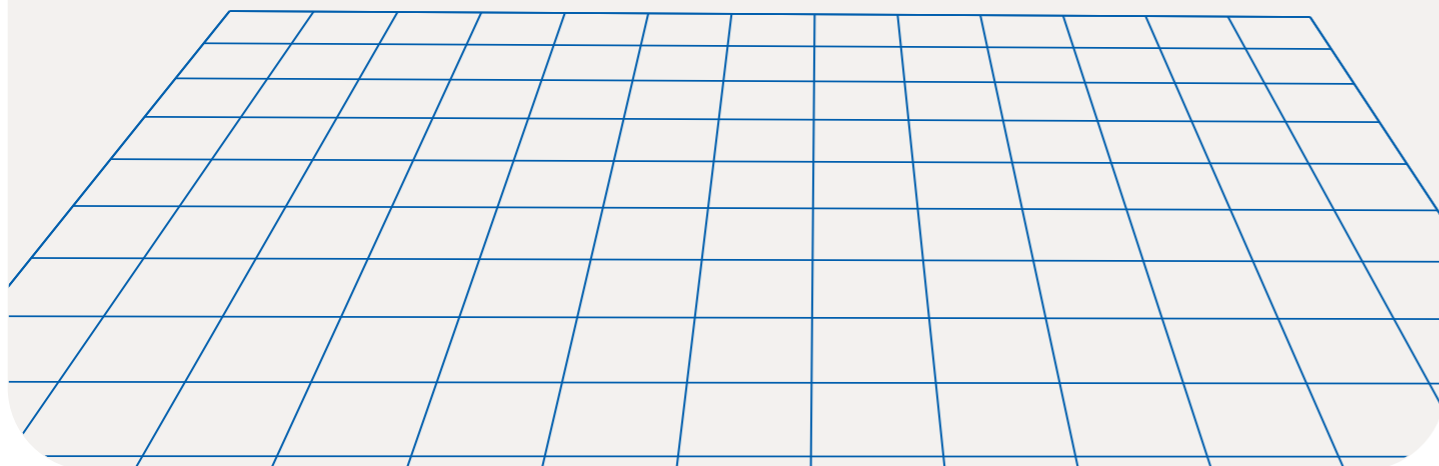
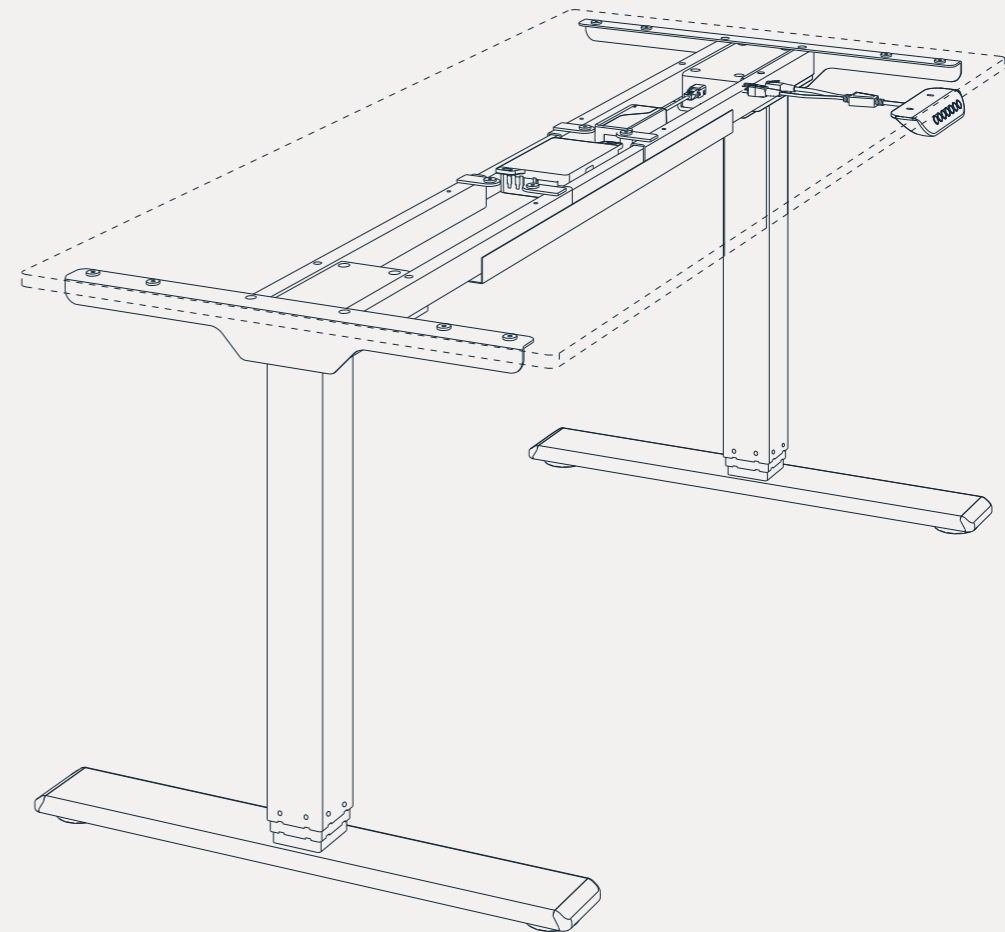


**Work
like new**



FlexiSpot

Item No. E5B-EUV2/E5W-EUV2/E5S-EUV2
User Manual



CONTENTS

English-----01

German-----11

French-----21

Italian-----31

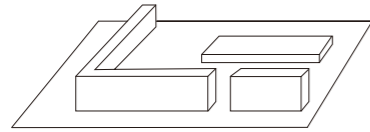
Spanish-----41

Warranty-----51

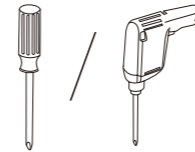
Specifications

Column Stage	3
Max. Weight Capacity	125kg
Height Range	620-1270mm
Width Range	1100-1700mm
Adaptable to desktop sizes	Length: 1200-1800mm Width: 600-800mm

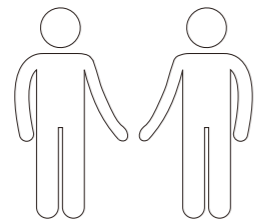
Assembly Notes



Assemble on carpet to prevent scratches



Phillips screwdriver or drill required (not provided)

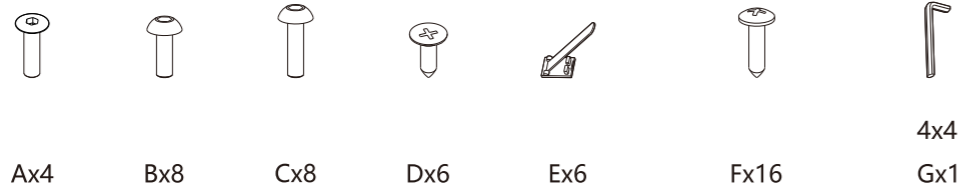


Cooperative assembly

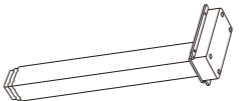

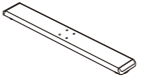
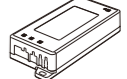
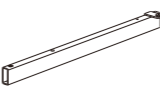
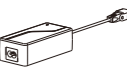
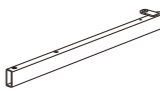

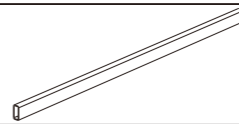

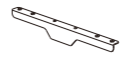

Product List

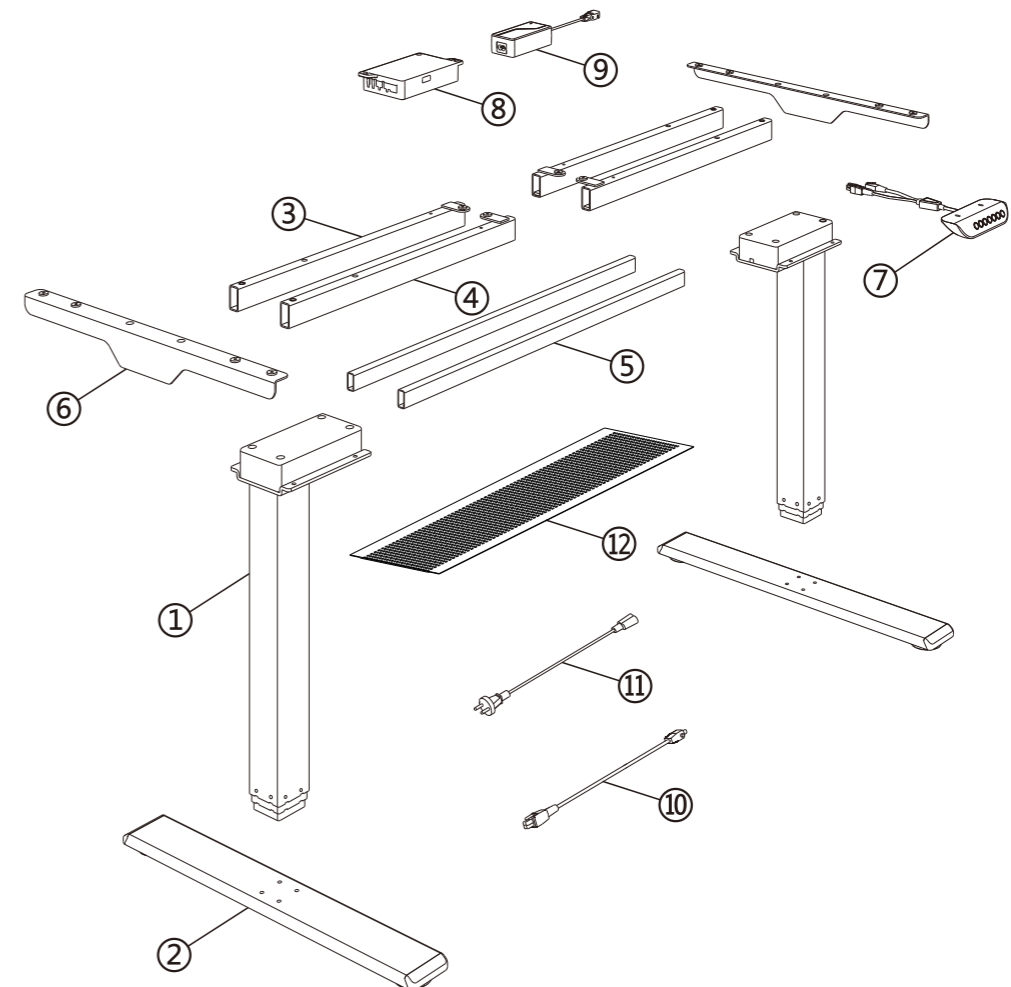
Accessory Package

Note: The following line drawings are for reference only and in some cases may be different from the actual part; please refer to the actual part. If you find missing parts or have installation problems, please contact customer service.



Parts Included

No.	Part	No.	Part
①	Lifting Column x 2 	⑦	Handset x 1 
②	Feet x 2 	⑧	Control Box x 1 
③	Left Supporting Beam x 2 	⑨	Adapter x 1 
④	Right Supporting Beam x 2 	⑩	Adapter cable x 1 
⑤	Connection rod x 2 	⑪	Power Plug x 1 
⑥	Side bracket x 2 	⑫	Cable Management Net x 1 

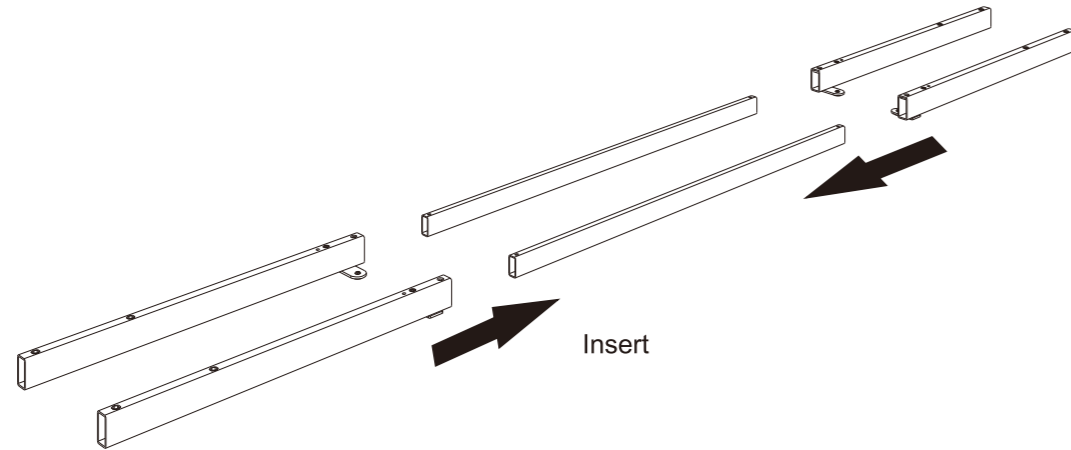


Assembly Steps

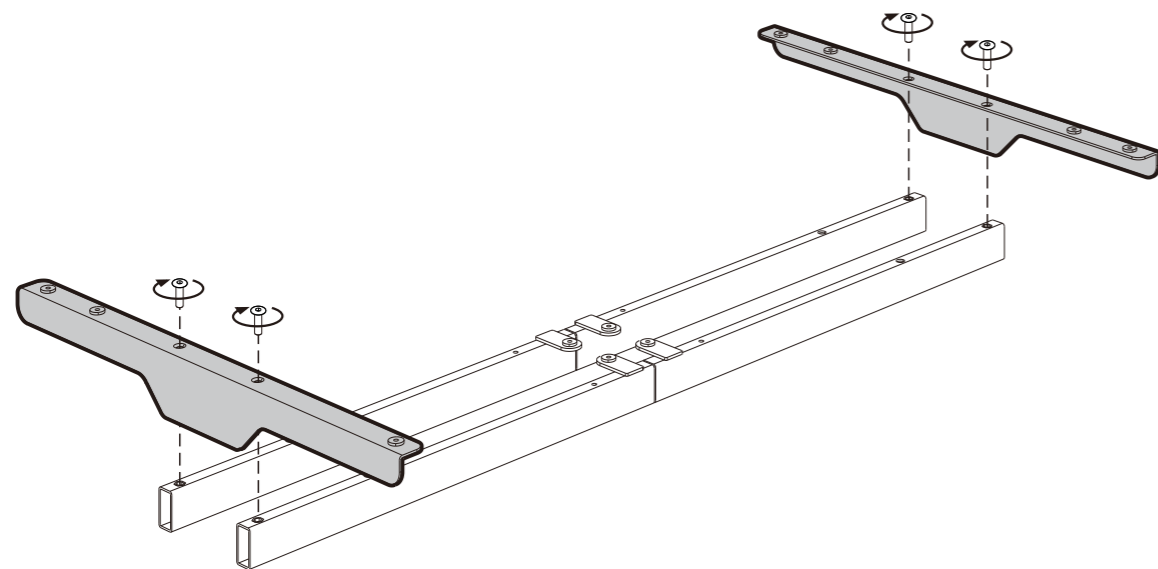
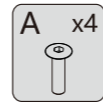
Step 1: Install the supporting beam



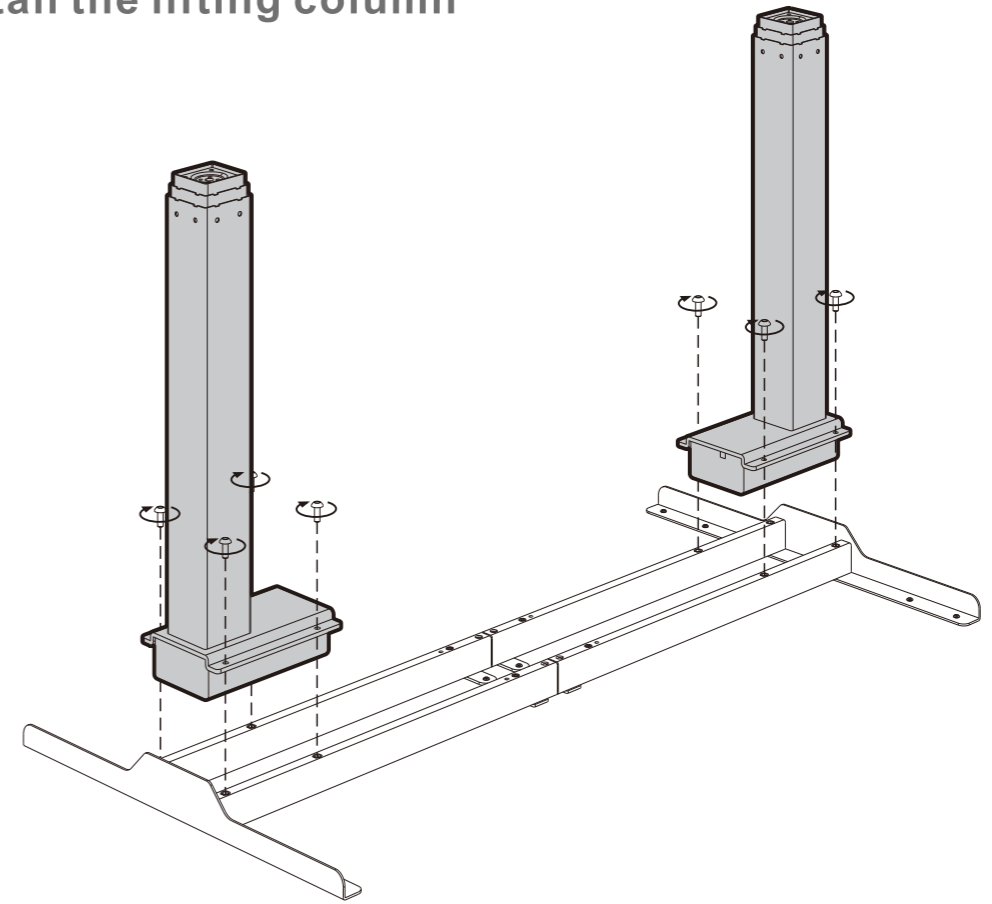
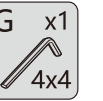
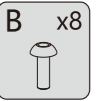
! If the connecting rod cannot be inserted into the supporting beam, please loosen the screws on the beam.



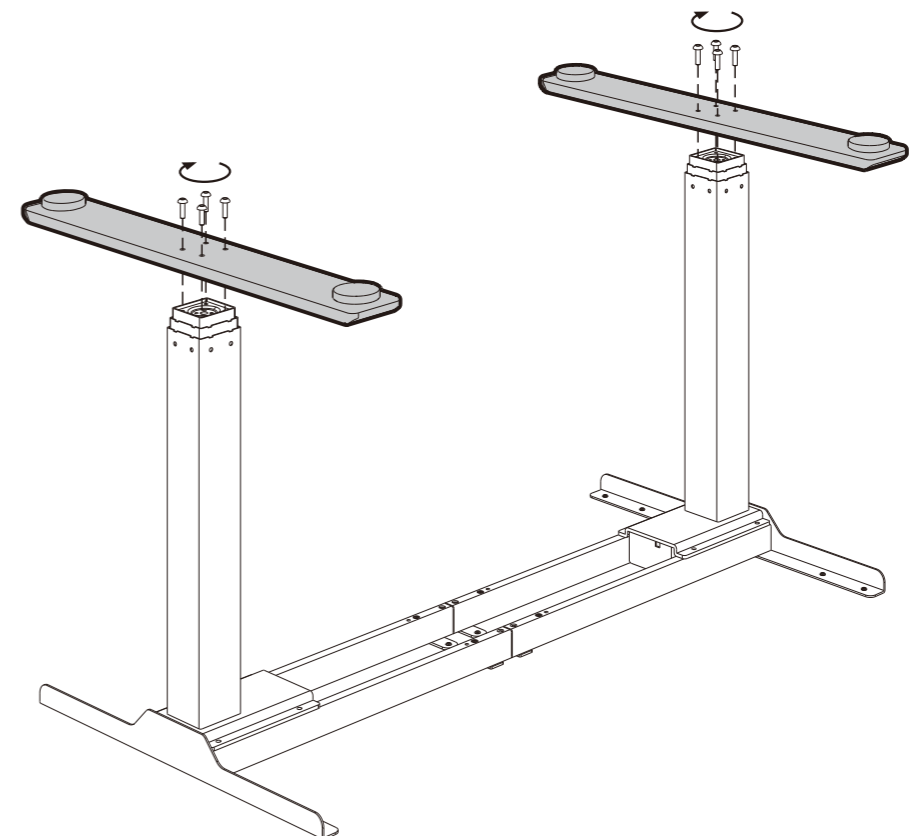
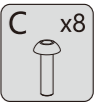
Step 2: Install the side bracket



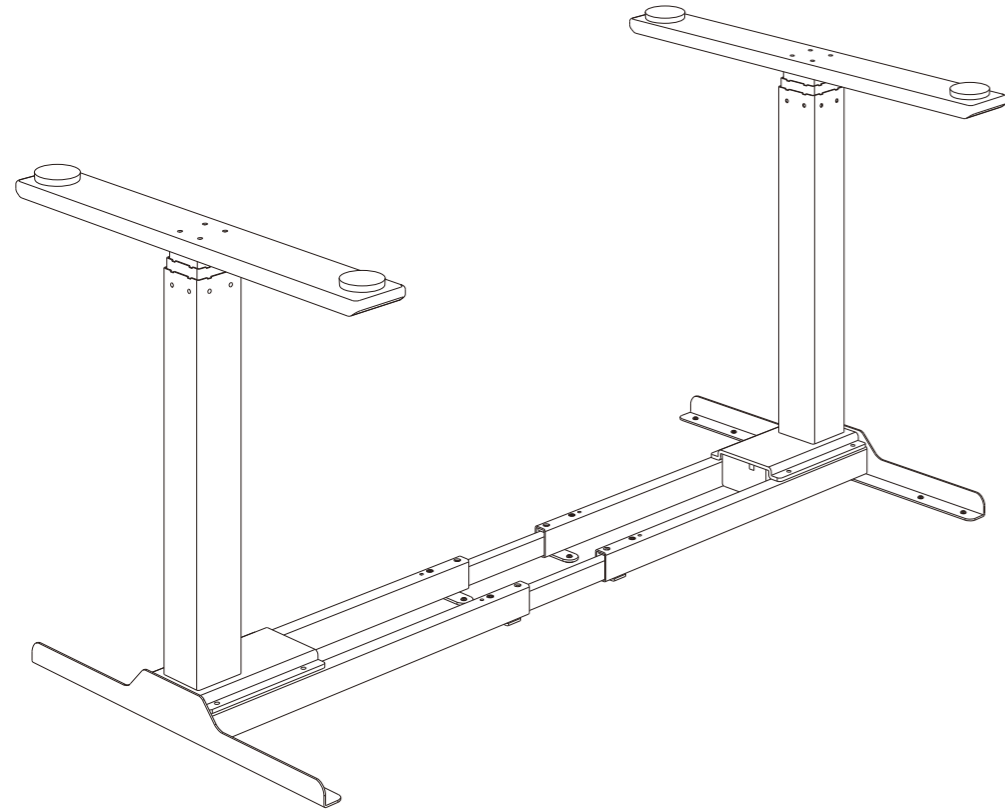
Step 3: Install the lifting column



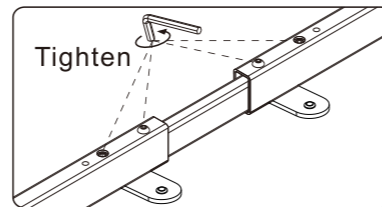
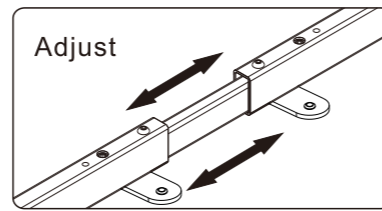
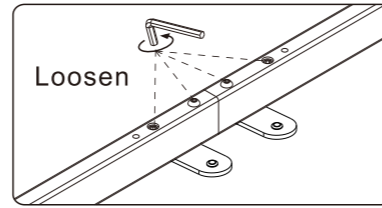
Step 4: Install the feet



Step 5: Adjust the supporting Beam



G x1
4x4

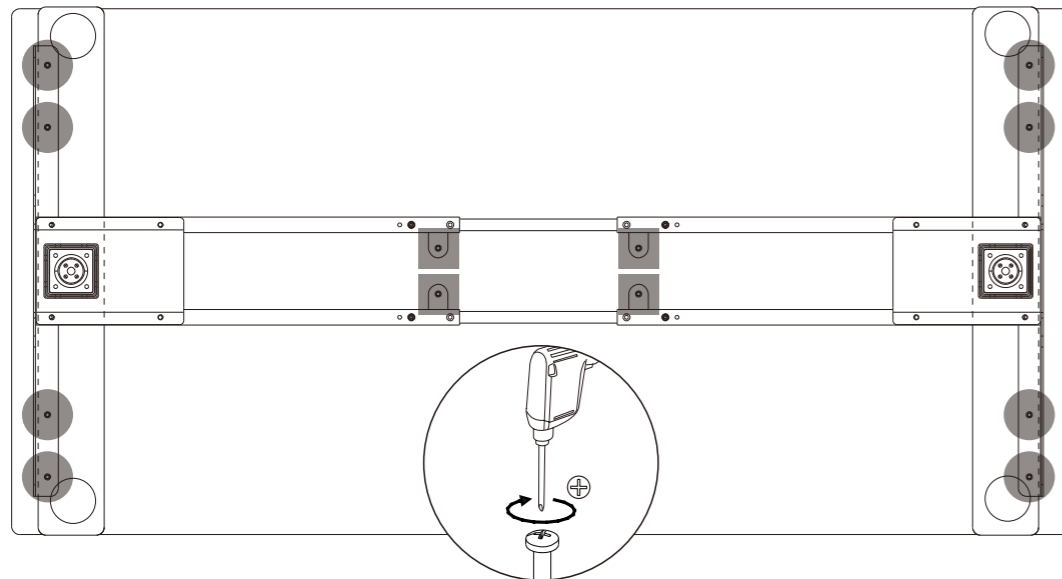


Step 6: Install the desktop

The screw installation sequence is

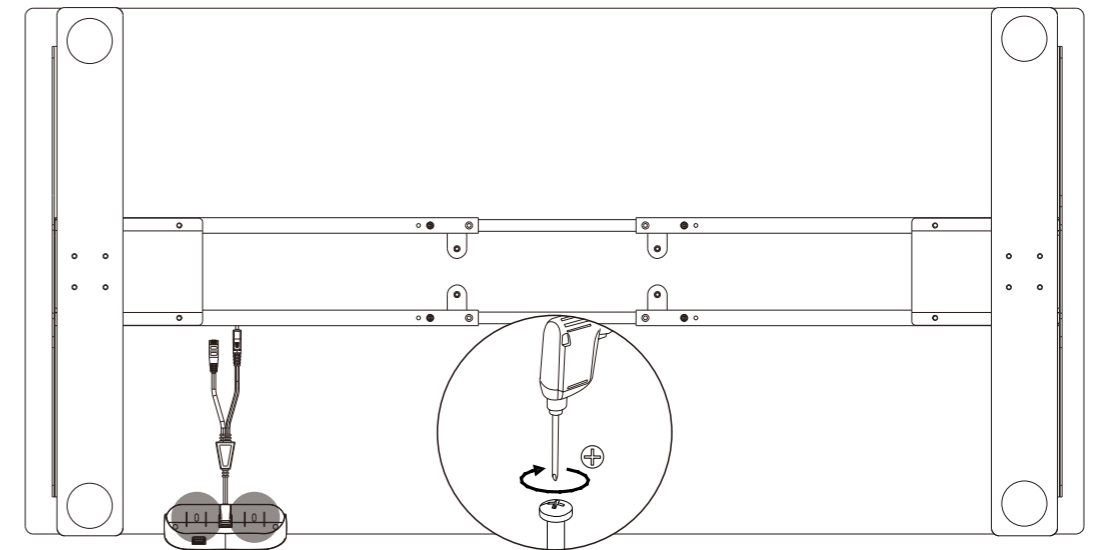
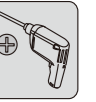


F x12

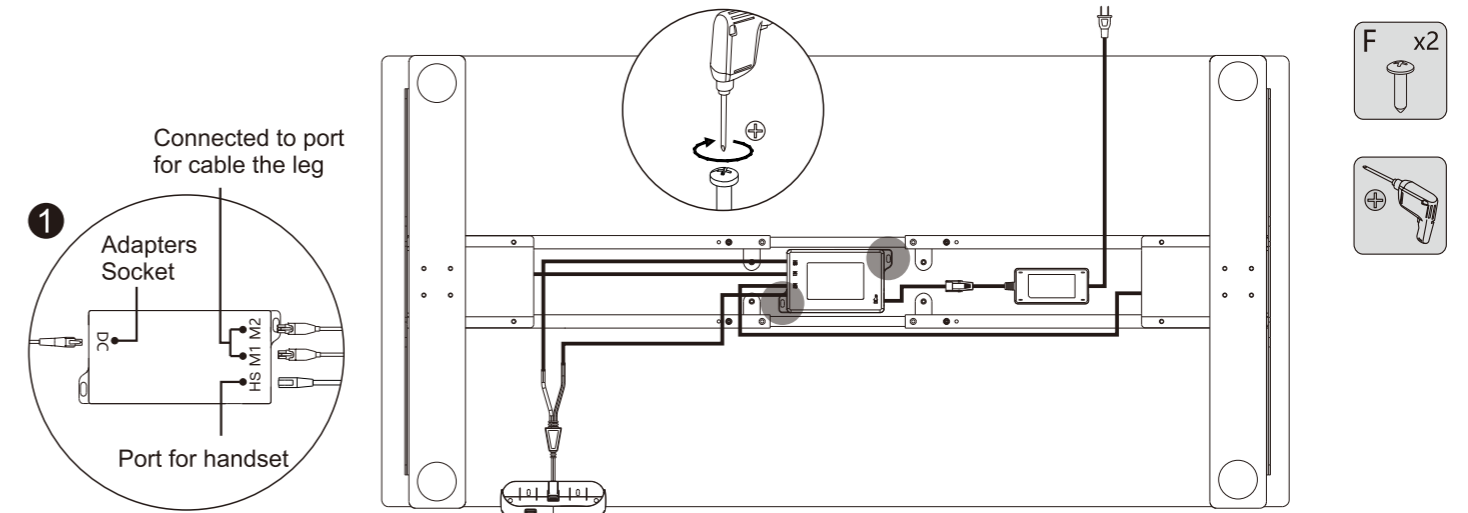


Step 7: Install the handset

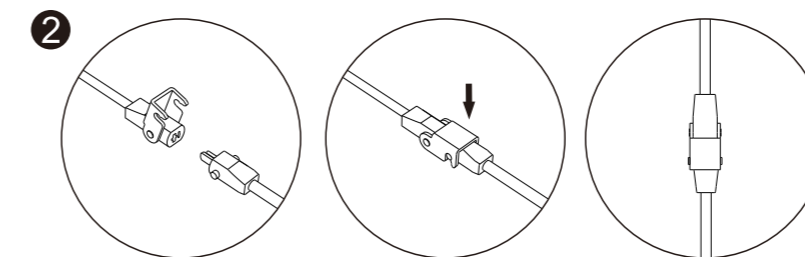
F x2



Step 8: Install the control box and connect the cables to the control box



F x2

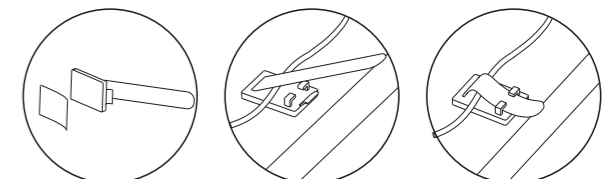


D x6

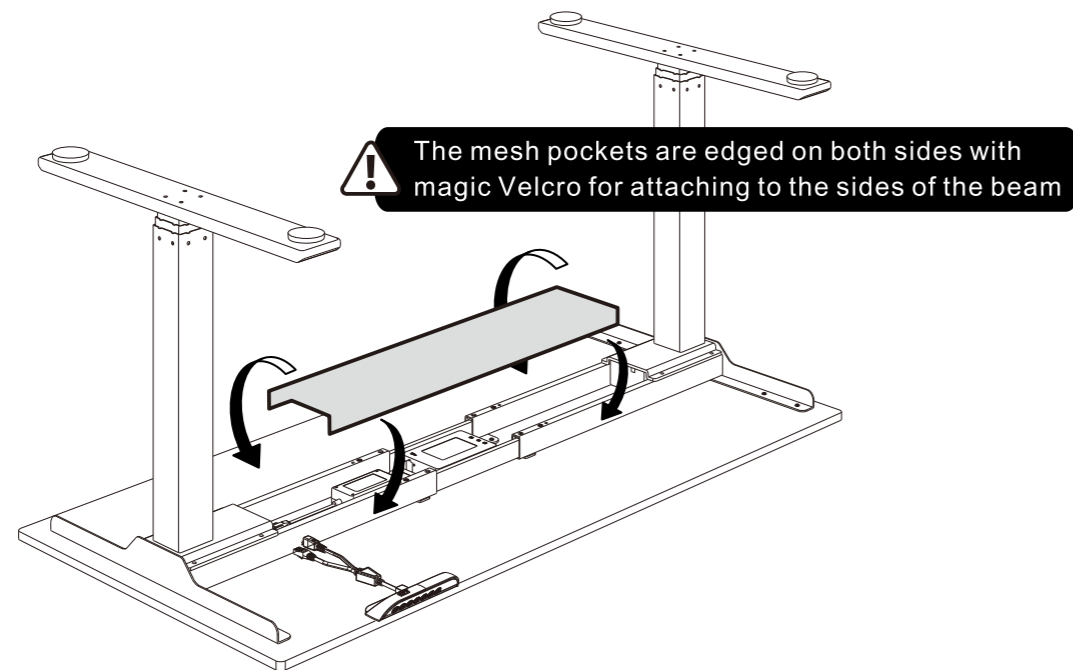
E x6



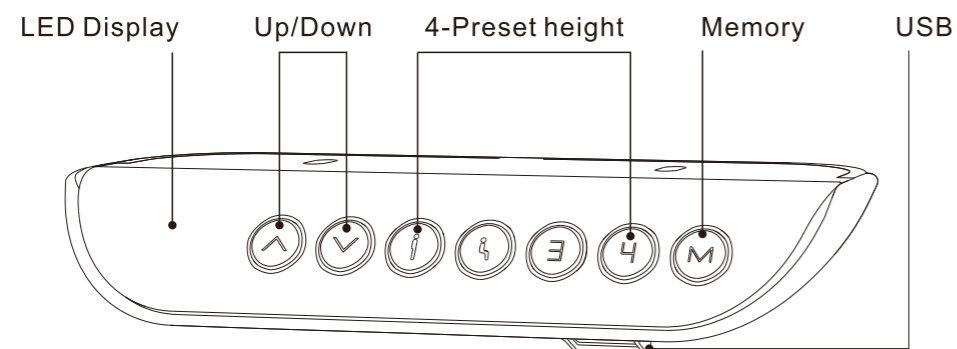
Cable ties (E) can be used to secure each connection to the table board, or with screws (D) Secure the cable ties to keep the cables neat and tidy.



Step 9: Install the cable management net



Keypad User Guide

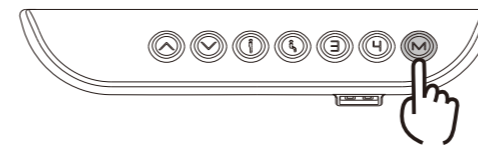


Attention

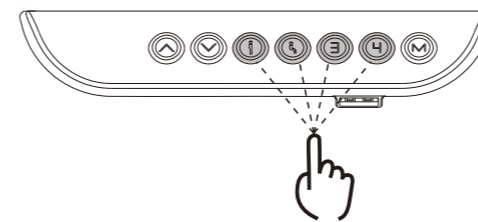
Please ensure that there are no obstructions to the table and that all wires are long enough to move the table up and down

Preset your comfort level to "1" when sitting and "2" when standing, plus other preset heights can be freely set to other heights

Preserve height function



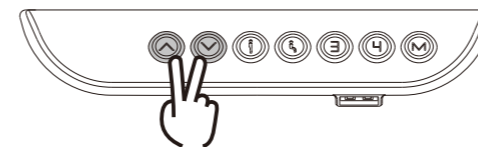
a. Press the "M" key to save the current height, the display shows "5-".



b. Press the "1" or "2" or "3" key or "4" key to save the height to the corresponding position or 3 or 4, the corresponding display "5-1" or "5-2" or "5-3" or "5-4" is displayed. The synchronised key ambient light flashes to indicate successful setting.

Collision prevention sensitivity adjustment - optional features:

a. Press and hold the "▲" "▼" button for 3 seconds at the same time to switch the sensitivity. There are four levels of sensitivity (R-0, R-1, R-2, R-3). Each operation will switch the sensitivity into the next level. The display shows "R-0", the anti-collision function is off; the display shows "R-1", low sensitivity; Display shows "R-2", medium sensitivity; Display shows "R-3", high sensitivity;

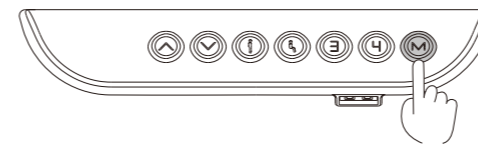


b. The desk bounces back immediately when it encounters an obstacle during its ascent or descent, providing protection;

c. Press and hold the "▲" and "▼" keys simultaneously for 3 seconds, the display does not show the above code, then there is no anti-collision function.

USB charging function:

USB output: QC2.0/QC3.0, 5.0v / 9.0v / 12.0v, ±5%, current: 1.5A



a. When the LED shows "R5f" or "r5t", press "▼" button until the desk reaches its lowest height and rebounds to stop, it means the reset has been finished.

b. If the "▼" button doesn't work, please check the cable connection and then cut off the power for at least 10 seconds. Reconnect to the power and press "▼" button to start the reset process when it shows the "R5f" or "r5t".

c. When it doesn't work and the LED shows "E01" or "E02", please retry 18 mins later.

Resolving Common Issues

This list is used for checking and solving common faults and errors. Please contact the manufacturer if problem you encounter is not on the list below.

Problem	Solution
Electronic functions do not function properly	Checking that the connection cables are properly connected;
Speed of lifting is slow	Check if the load weighs more than 125 kg.
Worksurface downward sliding	
Automatically reset a lot	
Can lift but cannot lower down	Start the reset process.
Insufficient ascent and descent height	
Bottom cannot rise	
Overworked beyond duty cycle: Max 2 min on/18 min off	Keep the power on and stop working for 18 minutes.
Power supply module not working	Need to reset first or wait 1s after rise and fall after use;
Press the down button to raise the device instead of lowering it	Check for obstructions under the table or dangling wire harnesses;

Attention

- Power supply: AC100V - 240V, frequency 50/60HZ;
- Working environment: 32° - 104° F;
- Before cleaning, you have to unplug the power supply cable. Clean with a slightly damp cloth to wipe away the surface dust. Keep all electrical components away from liquids. Do not damage the connection line and keep the plug in a safe position.
- Inside the control box, there are electronic components, metal parts, plastic parts, wires and so on. They should be disposed in accordance with the local laws and regulations. They cannot be disposed as household waste.
- Before using the product, please make sure the product has been installed correctly.
- Before starting use of the product, please read the instructions to fully understand all the product's functions and settings.
- Keep children away from electric height-adjustable desks, control units and handsets. Manufacturer is not responsible of any damages that result from children's unpredictable behaviour.
- Slight noise caused by the multi wedge belt or brake system will not impact the use of this product.
- Do not use corrosive or abrasive materials to clean this product and please dispose of cleaning solutions in an environmentally friendly manner.
- Understand the risks associated with using this product. Children or those with cognitive impairment should not use this product without supervision.
- If the power supply cord is damaged or broken, it must be replaced by the manufacturer or a relevant specialist to avoid any injuries.
- Please operate in a clean and safe environment. For example, do not left around your tools. And always be careful to deal with packaging materials, in order to avoid any kinds of possible danger. Potential choking risk exists when children play with plastic bags!
- If necessary, retain the original package for future transportation.

Recycling and Disposal

This product cannot be disposed of as household waste. To prevent damage to the environment, this product should be recycled. Please use the relevant recycling systems available to you or contract the distributor or manufacturer for recycling assistance.