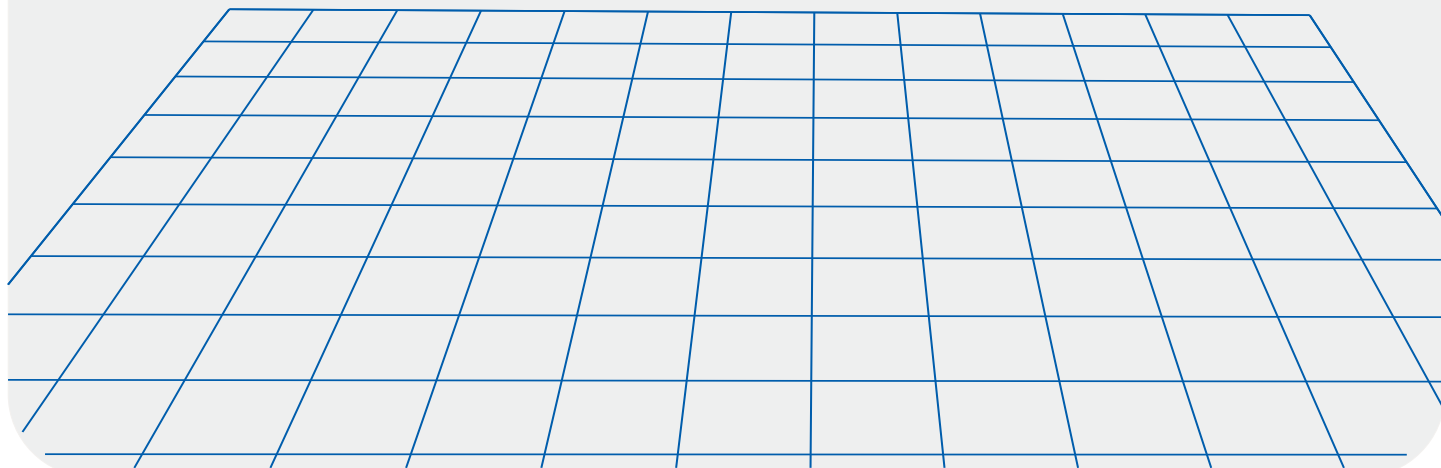


New Working New Living



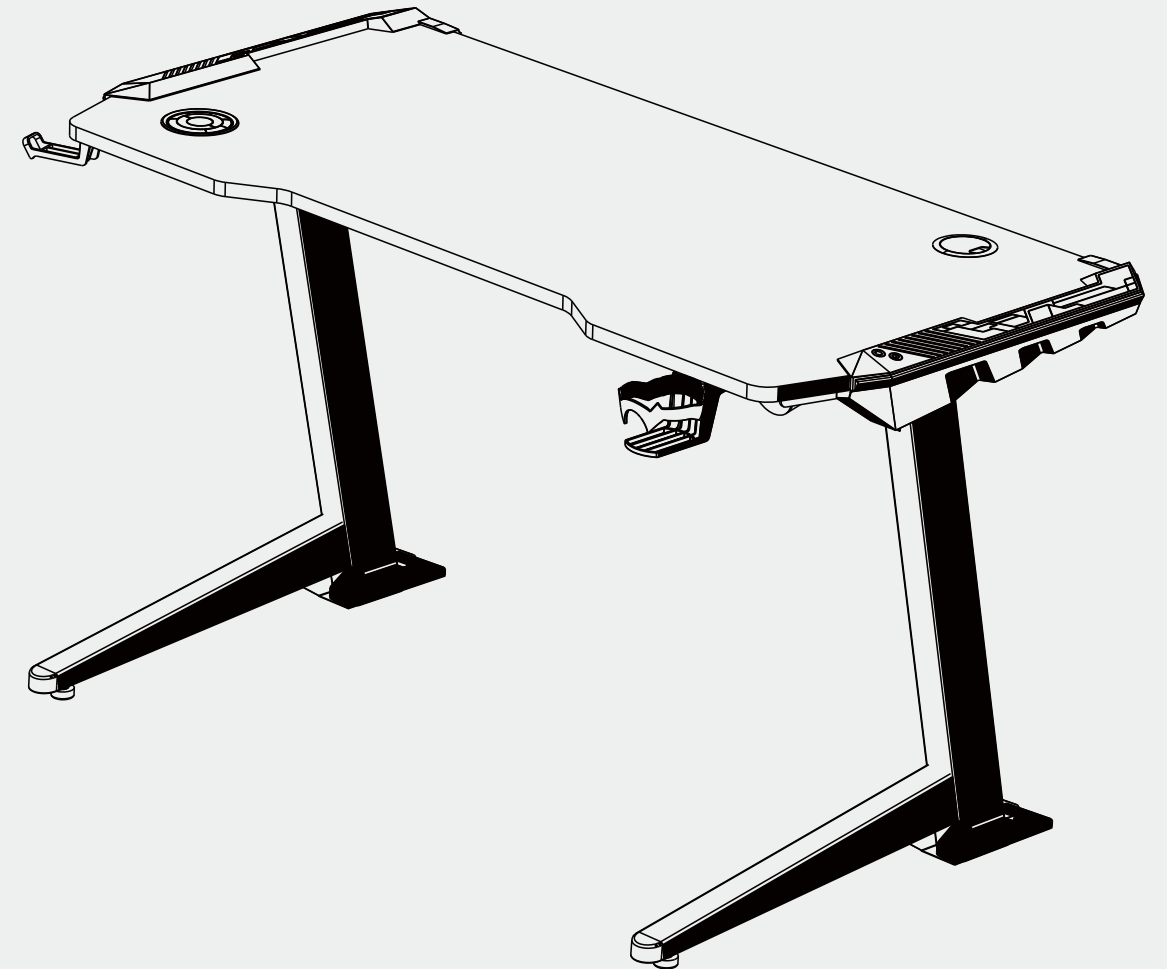
+61 361613555



FlexiSpot

User Manual

Item No. GT2-AU

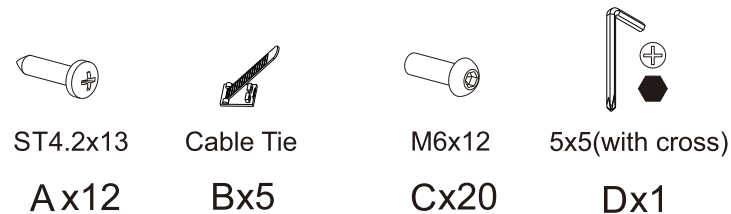


Specifications

Item No.	GT2-AU
Column Design	2
Maximum Load	50KG
Maximum Speed	25mm/s
Highest Position	1210mm
Lowest Position	720mm
Height Range	490mm
Desktop Dimension	1250mmx600mmx18mm

Accessory List

Attention: The drawings below are only for reference which might be slightly different from the actual object, please in kind prevail. Any tools missing or installation problems, please contact the customer service firstly



Parts List

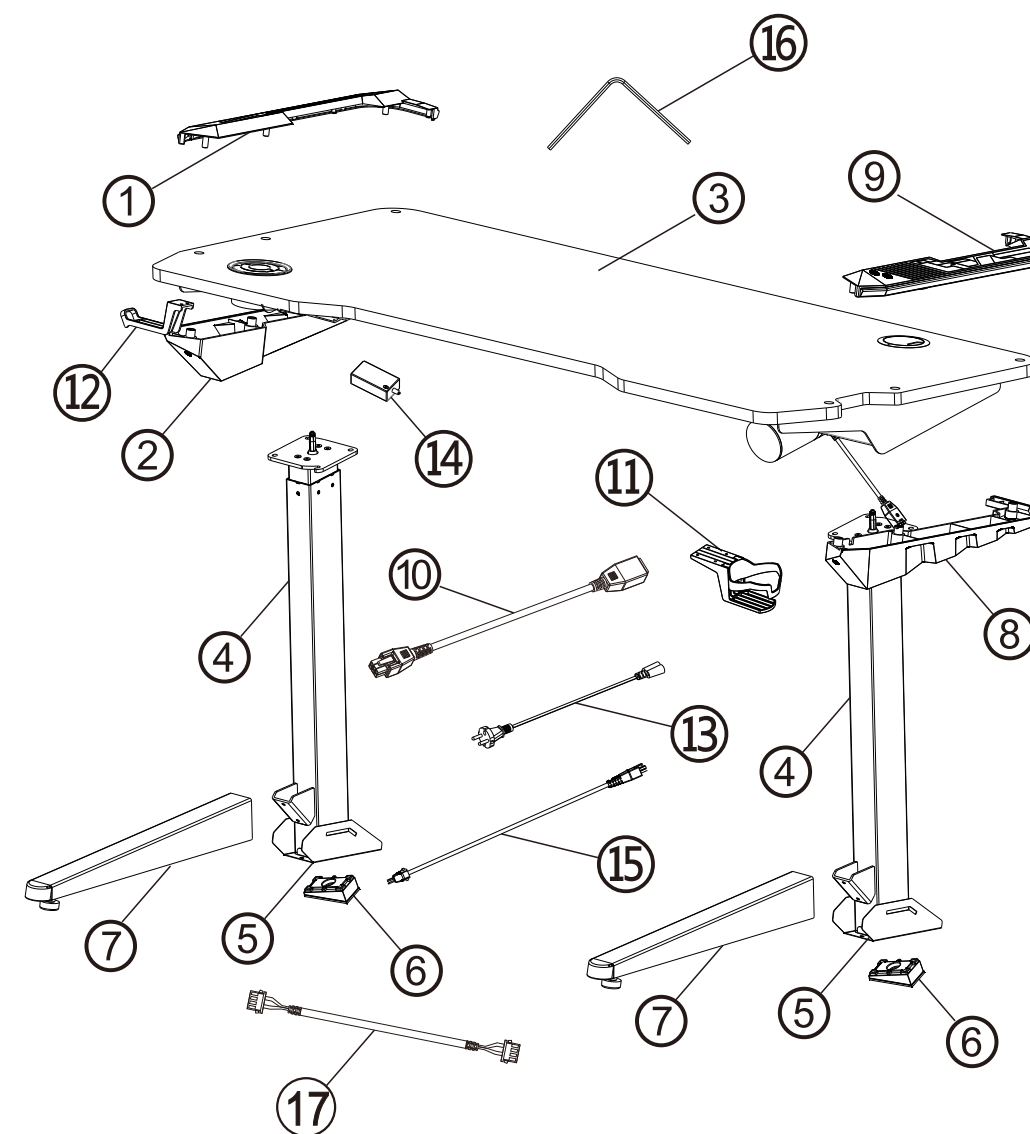
No.	Parts
①	Upper Left Light Strip x1
②	Bottom Left Light Strip x1
③	Tabletop Assembly x1
④	Lifting Column Assembly x2

No.	Parts
⑤	Decorative Components x2
⑥	Rear Foot Pad x2
⑦	Feet Assembly x2
⑧	Decorative Right Light Strip x1

Parts List

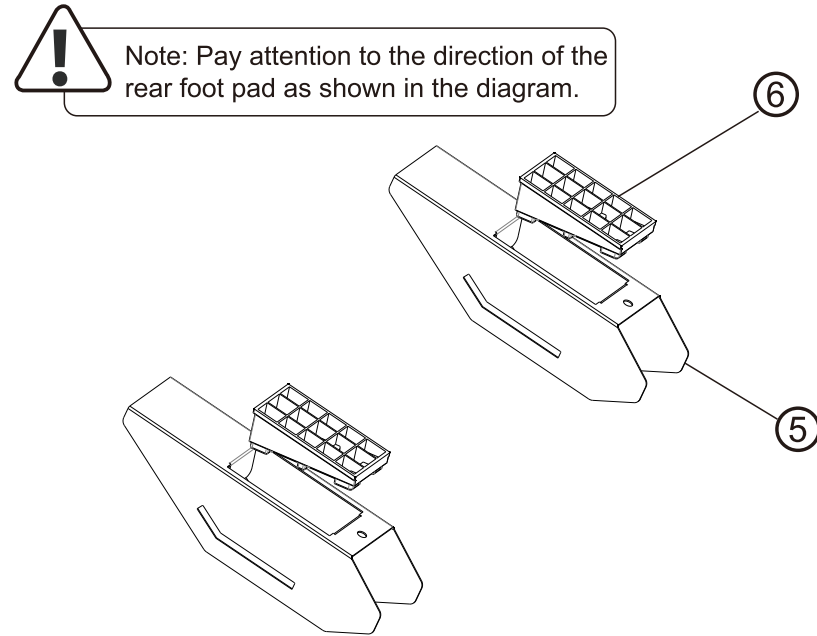
No.	Parts
⑨	Upper Right Light Strip x1
⑩	Motor xtension Cord x1
⑪	Cup Holder x1
⑫	Headphone Hook x1
⑬	Power Plug x1

No.	Parts
⑭	Adapter x1
⑮	Switch Cord x1
⑯	Long Allen Key x1
⑰	Plug Wire x1



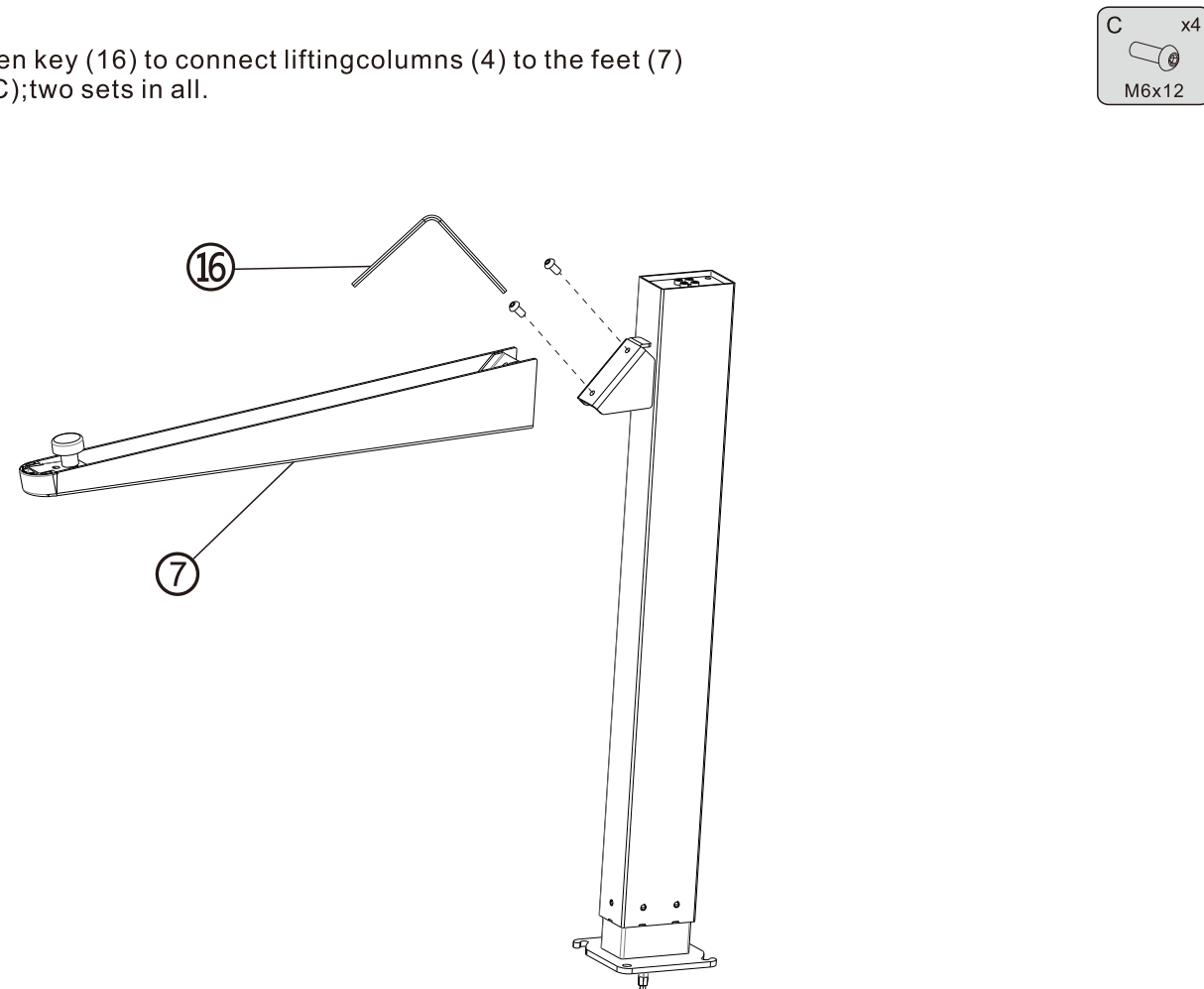
1 Install rear foot pad and the decorative sheet metal

Buckle the rear foot pad (6) and the decorative sheet metal (5) together.



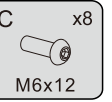
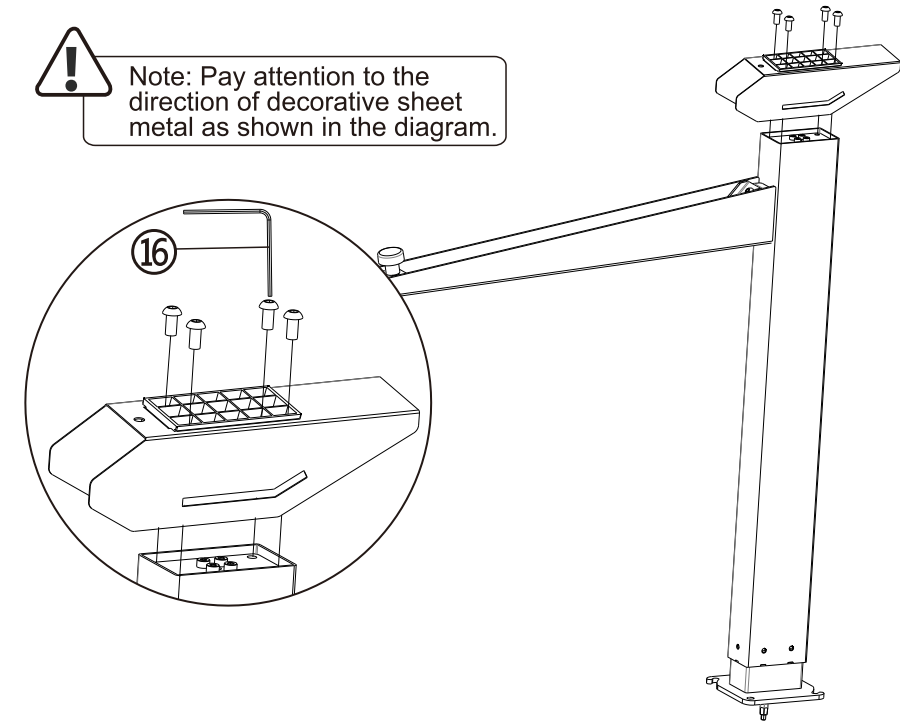
2 Install the foot

Use a long allen key (16) to connect lifting columns (4) to the feet (7) with screws (C); two sets in all.



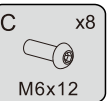
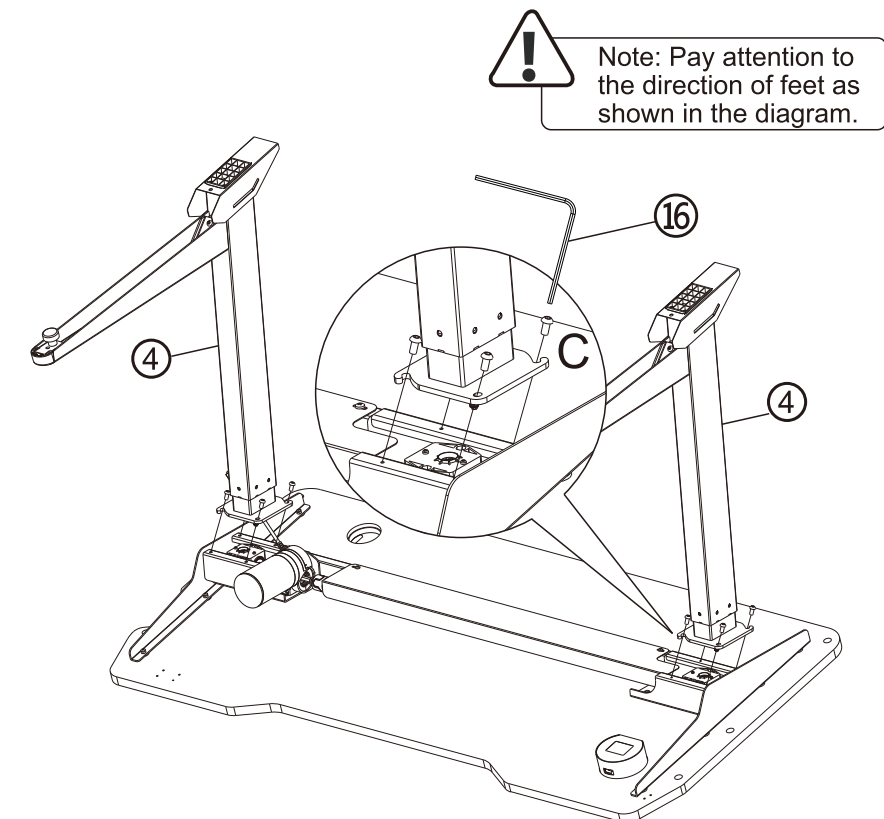
03 Connect decorative sheet metal to the lifting column

Use long allen key (16) to tighten the component in Step 1 and the component in Step 2 with screws (C).



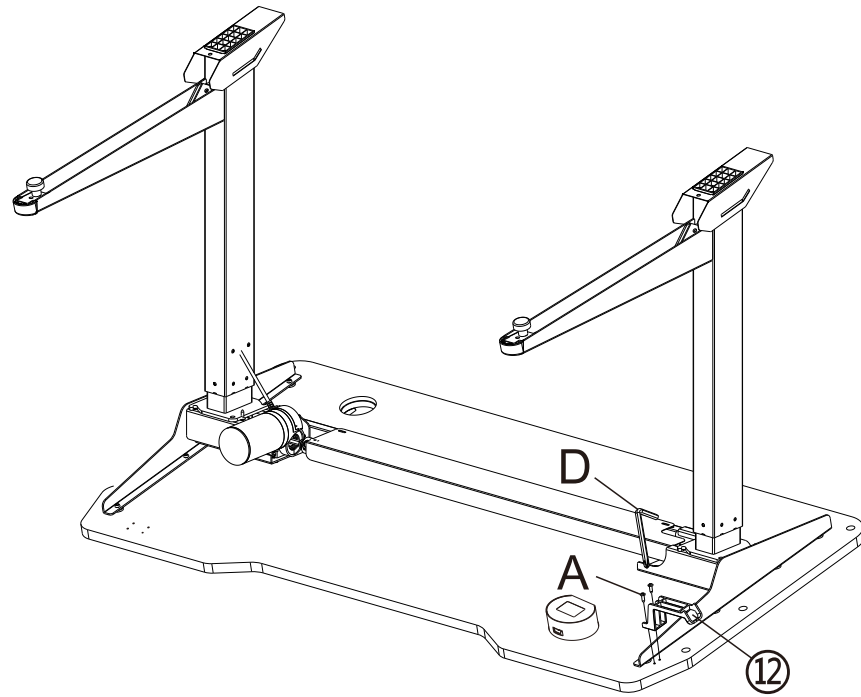
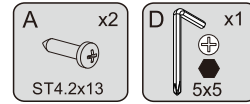
04 Install lifting columns

Use long allen key (16) to tighten the component in Step 3 and tabletop assemblies (3) with screws (C).



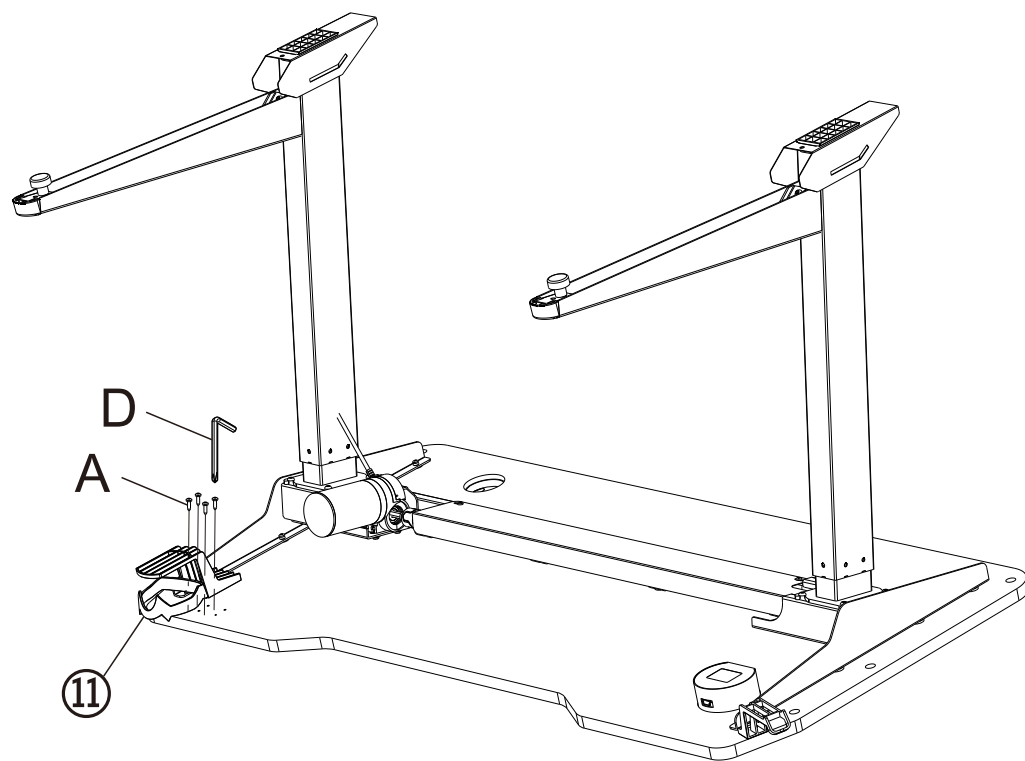
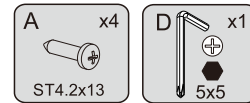
05 Install headphone hook

Use 5x5 allen key (D) to install headphonehook (12) to the component in Step 4 withscrews (A).

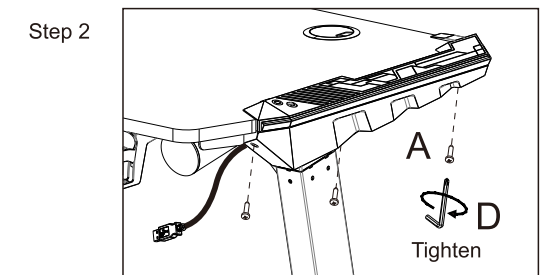
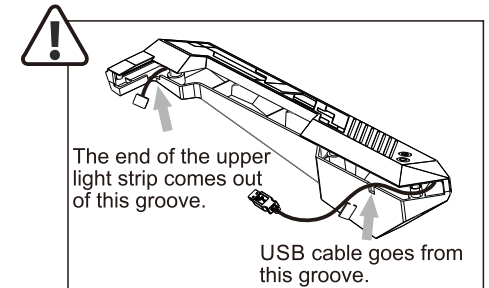
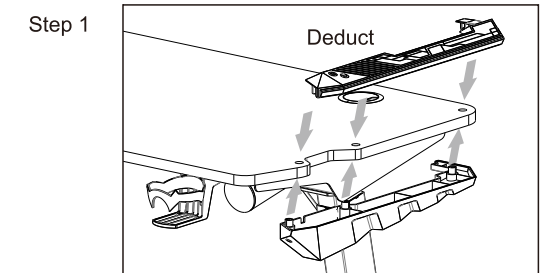
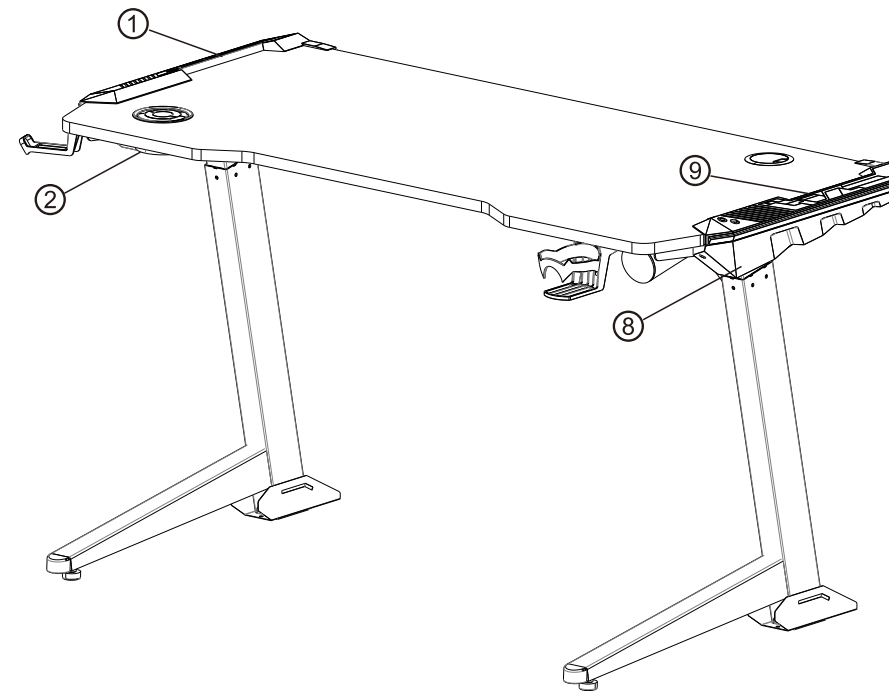
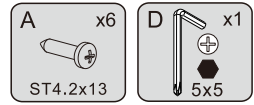


06 Install cup holder

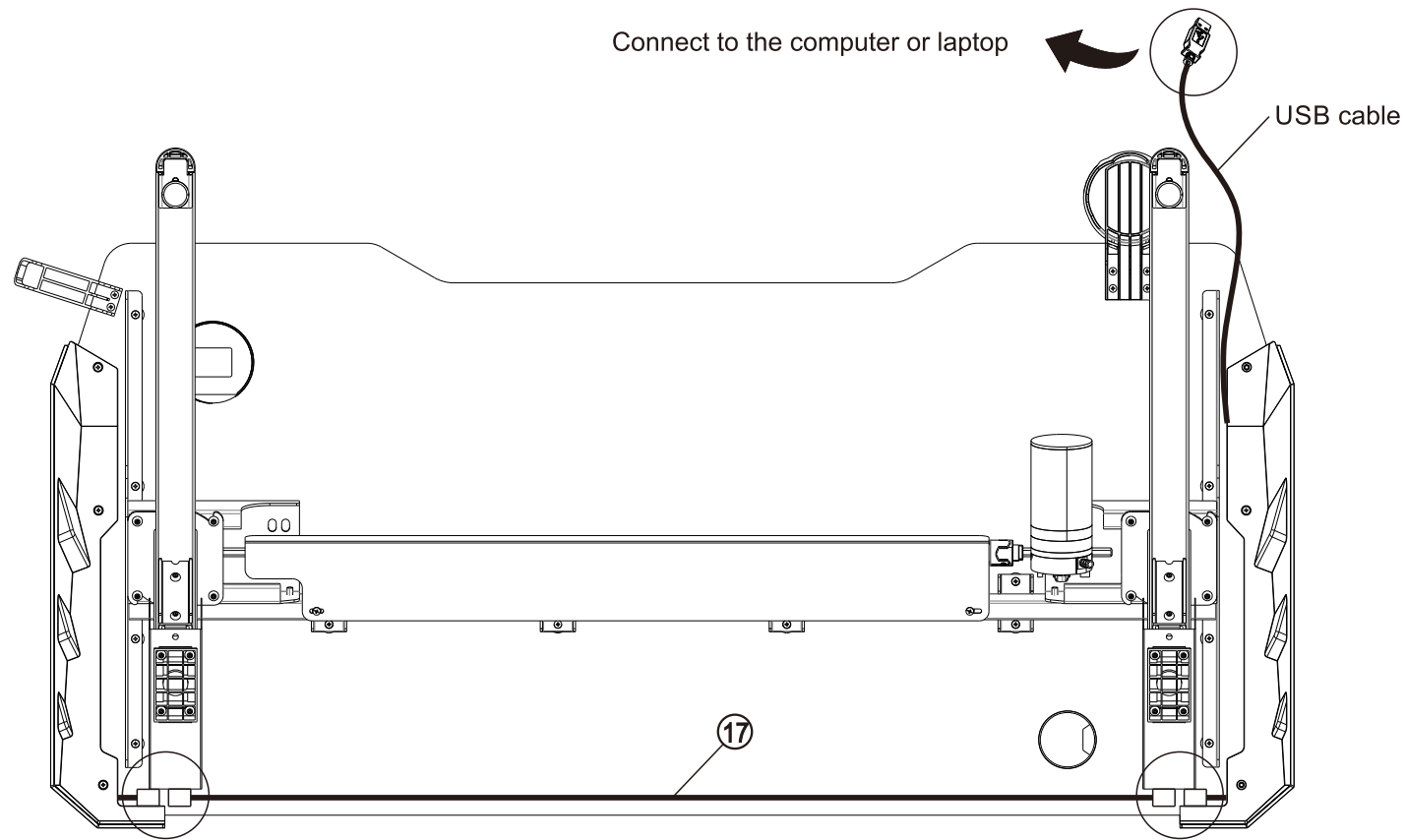
Use 5x5 allen key (D) to install cupholder (11) to the component in Step 5 with screws A



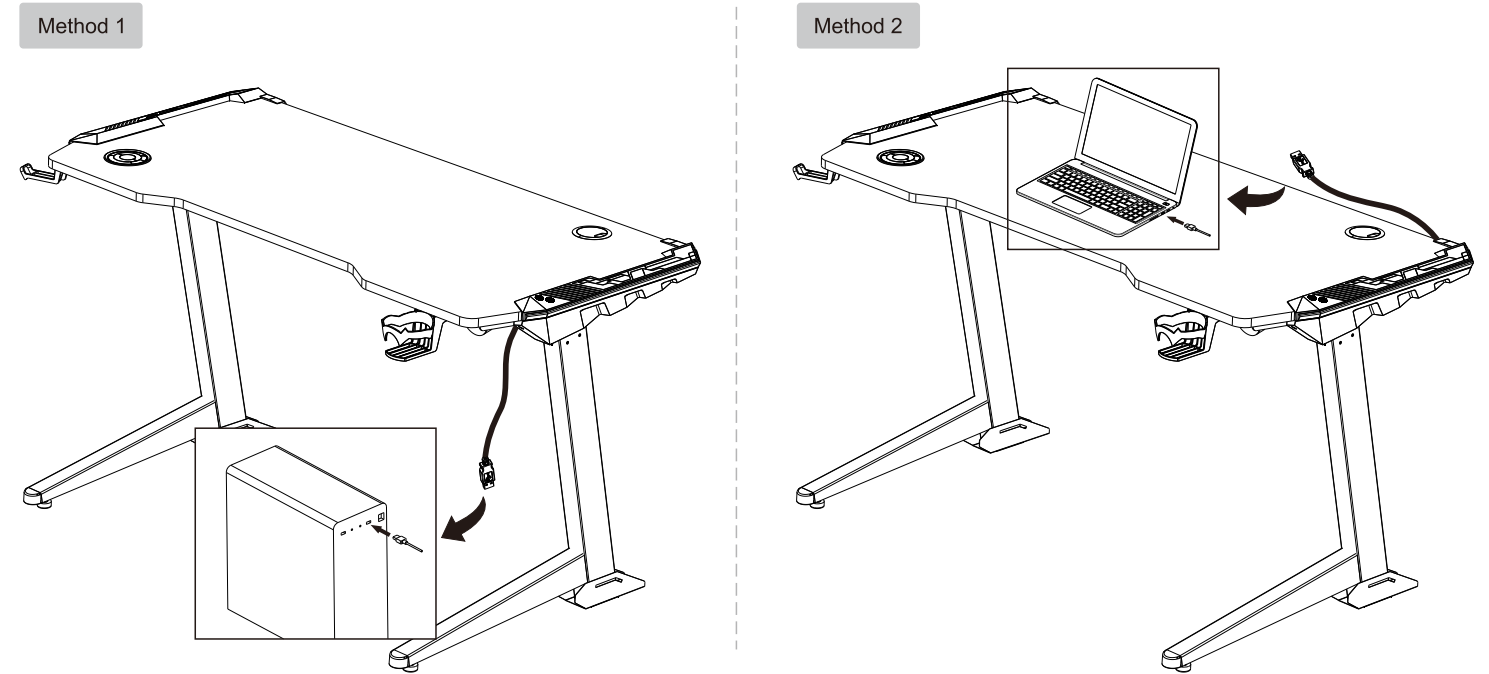
07 Install left and right light strips



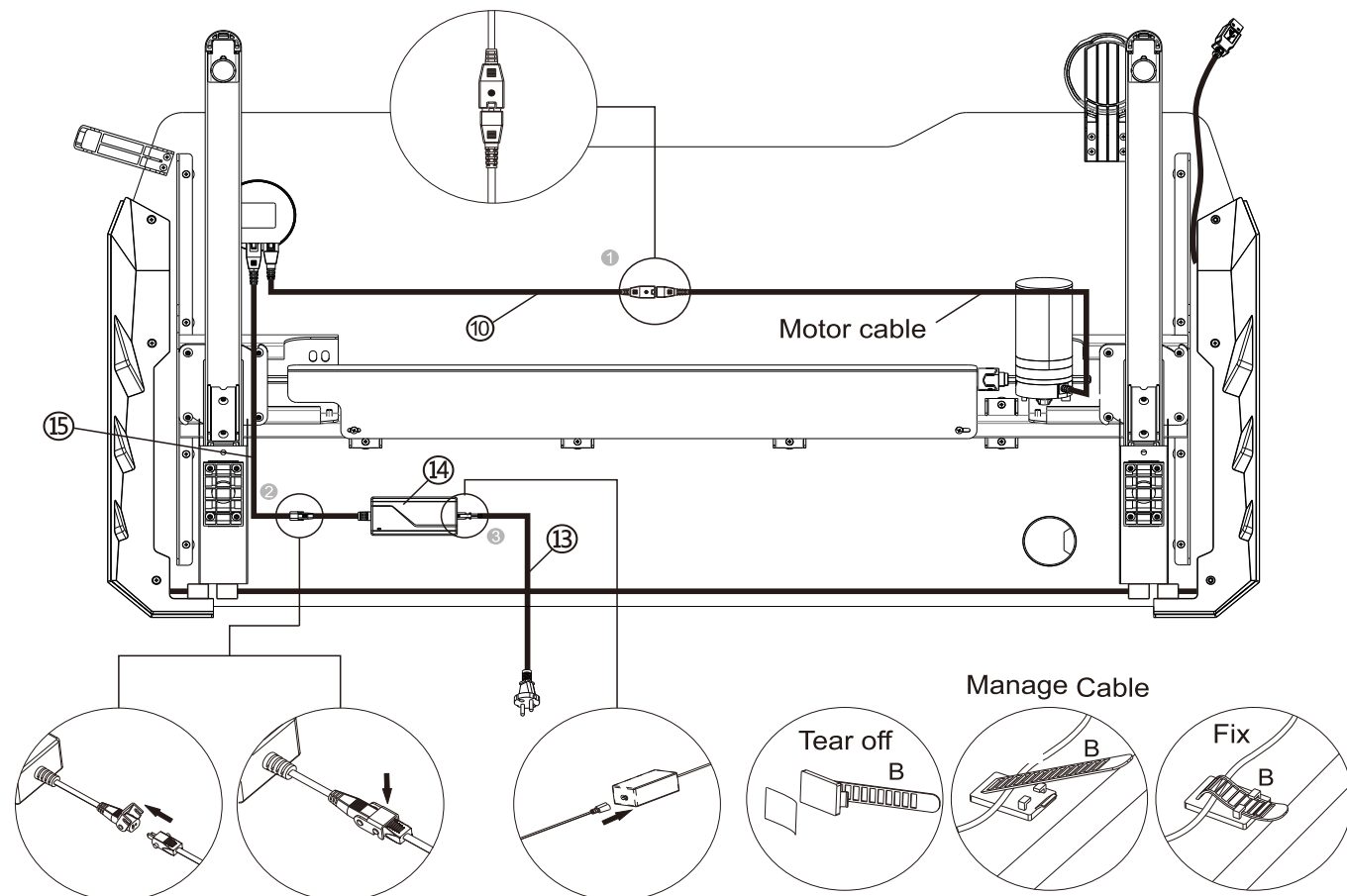
08 Connect cables1: Connect the light strip assembly cables



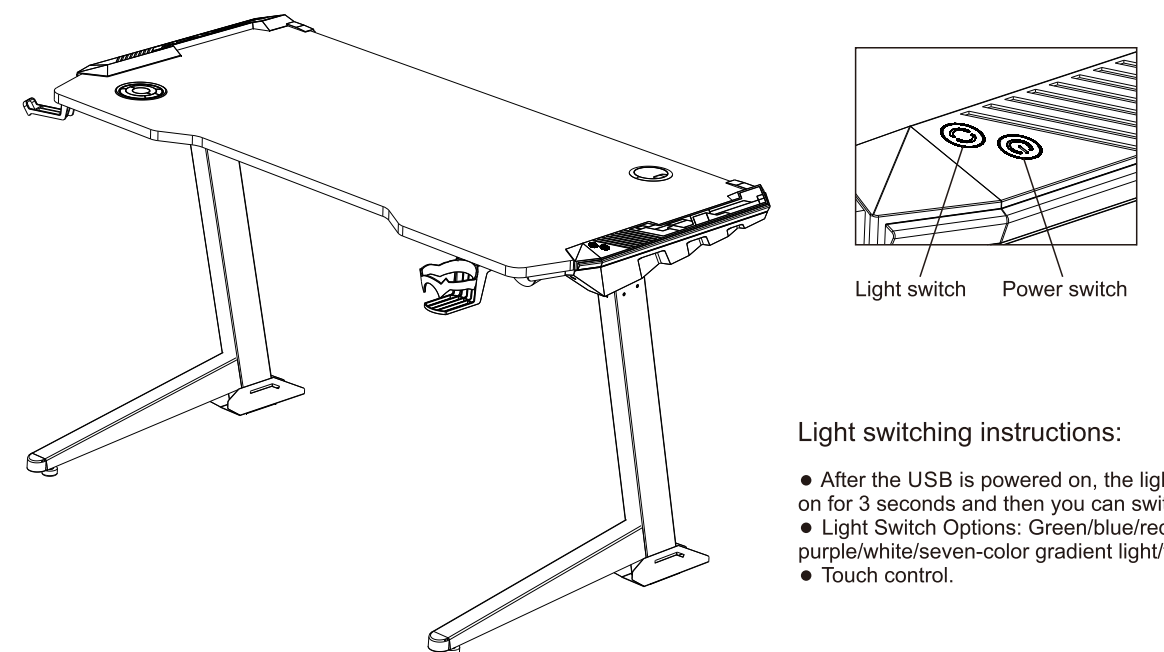
10 Connect to the computer or laptop



09 Connect cables2: connect adapter to the motor cable



Lighting control instructions



Light switching instructions:

- After the USB is powered on, the light strip turns on for 3 seconds and then you can switch the light.
- Light Switch Options: Green/blue/red/cyan/yellow/purple/white/seven-color gradient light/flashing light.
- Touch control.

How to use handset

● Height Adjustable Function:

If the LED display can show the current height, press "▲" or "▼" button can adjust the table height. Long press can enable continuous rise or go down and meantime the light starts to flicker.

● Height Memory Function:

Click "M" button and LED display shows "5-". Then click any button from "1", "2", "3", "4" to achieve the height setting. In the meanwhile, the light flickers meaning the data has been successfully saved. Click the corresponding button and then the desk can be adjusted to the saved height.

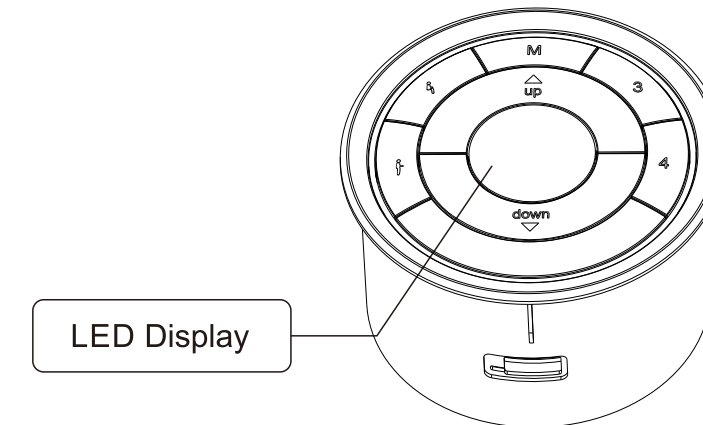
● Reset Function:

1. When the height is different with the LED display or it shows default code, you need to reset the desk.
2. Press and keep "▼" button to adjust the desk until it goes down to the lowest place. Then long press the "▼" button for down more than 3 seconds to enter the reset process and LED display shows "R5f" or "r5t". Then long press the "▼" button until it bounce up and the LED display shows the current height, which means the reset is a success.

● Anti-Collision Sensitivity Adjustment:

1. Simultaneously press and hold the "▲" and "▼" buttons for three seconds to switch the sensitivity, one operation to switch one level, divided into 4 levels, "A-0", "A-1", "A-2", "A-3".
2. The display shows "A-0" means the anti-collision functions closed, the display shows "A-3" means high sensitivity; the display shows "A-2" means medium sensitivity; the display shows "A-1" mean slow sensitivity.
3. When the desk go up or down, it will rebound immediately when encountering obstacles to prevent itself.

Button



①	1	Button 'stand', suitable for standing, the first height data saved by users
②	2	Button 'sit', suitable for sitting, the second height data saved by users
③	M	Function key, use with other buttons
④	3	Position 3, the third height data saved by users
⑤	4	Position 4, the fourth height data saved by users
⑥	▲ up	Upper button, adjust the desk to rise
⑦	▼ down	Downward button, adjust the desk to go down

● Code Processing:

1. When the LED display shows "R5f" or "r5t", please refer to the reset function.
2. If "E01" or "E02" appears, please let the desk rest for more than 18 minutes before it can be used normally.
3. If other codes appear and there is no response after pressing the "▼" button, please make sure that the cable is not damaged and the connection is normal, and power off for more than 10 seconds, then turn on the power again, "R5f" or "r5t" is displayed, then long press the "▼" button to reset.
4. If the above operations are performed, the table still does not operate normally, please contact customer service.

Common fault treatment

The following tips will help you detected and eliminate the commorfault anderror. If the fault you met is not listed below, please contact with your supplierOnly the manufacturer and professionals are capable for investigating anacorrecting those fault and error.

Fault phenomenon	Method
The desktop could not function	Check if all the cables well connected;
Rising in a low speed	Check if overloaded, max loading: 50kg;
The desk moving downwards without any operation	
Automatically Self-Reset	
Go down but not go up or go up but not go down	Reset;
The upper and downward height is not enough	
The desk could not lifted	
Overwork (Duty cycle: Max 2min on/18min OFF)	Restart after suspend for 18mins while connecting with power.
Press "▼"button while desk rises	Check whether there are barriers beneath the table or cables are entwined with other things.

Attention



- Power supply: AC100 - 240 V, frequency 50/60HZ;
- Working environment: 32°F - 104°F;
- Before cleaning, you have to unplug the power supply cable. Clean with a slightly damp cloth to wipe away the surface dust. Keep all electrical components away from liquids. Do not damage the connection line and keep the plug in a safe position.
- Inside the control box, there are electronic components, metal parts, plastic parts, wires and so on. They should be disposed in accordance with the local laws and regulations. They cannot be disposed as household waste.
- Before using the product, please make sure the product has been installed correctly.
- Before starting use of the product, please read the instructions to fully understand all the product's functions and settings.
- Keep children away from electric height-adjustable desks, control units and handsets. Manufacturer is not responsible of any damages that result from children's unpredictable behaviour.
- Slight noise caused by the multi wedge belt or brake system will not impact the use of this product.
- Do not use corrosive or abrasive materials to clean this product and please dispose of cleaning solutions in an environmentally friendly manner.
- Understand the risks associated with using this product. Children or those with cognitive impairment should not use this product without supervision.
- If the power supply cord is damaged or broken, it must be replaced by the manufacturer or a relevant specialist to avoid any injuries.
- Please operate in a clean and safe environment. For example, do not left around your tools. And always be careful to deal with packaging materials, in order to avoid any kinds of possible danger. Potential choking risk exists when children play with plastic bags!
- If necessary, retain the original package for future transportation.

Recycling and Disposal



This marking indicates that this product should not be disposed with other household wastes. To prevent possible harm to the environment or human health from uncontrolled waste disposal, recycle it responsibly to promote the sustainable use of material resources. To return your used device, please use the return and collection systems or contact the retailer where the product was purchased. They can take this product for environmental safe recycling.