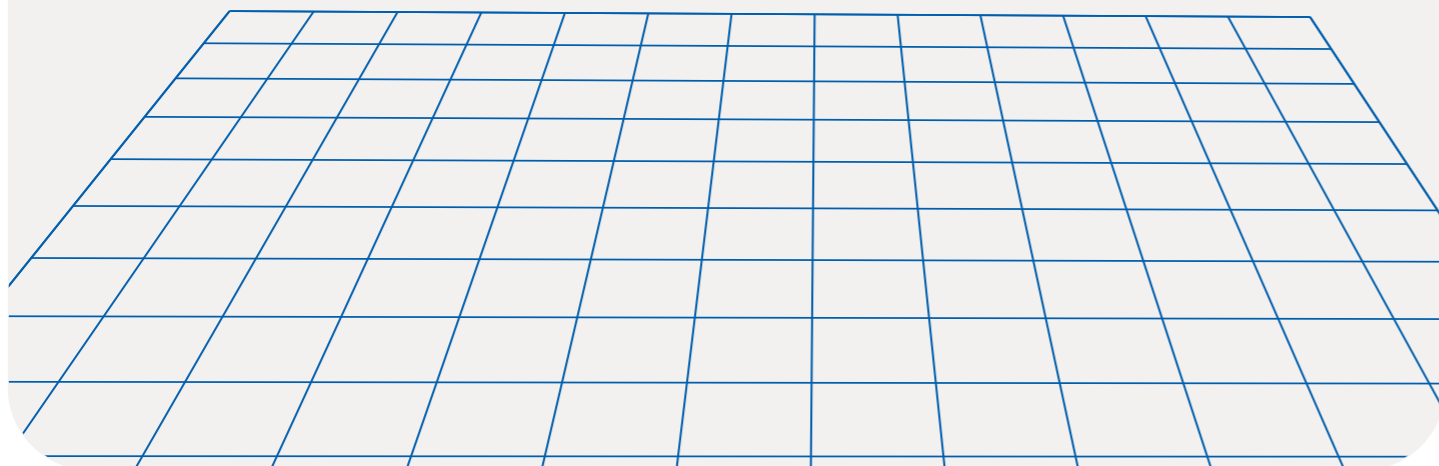


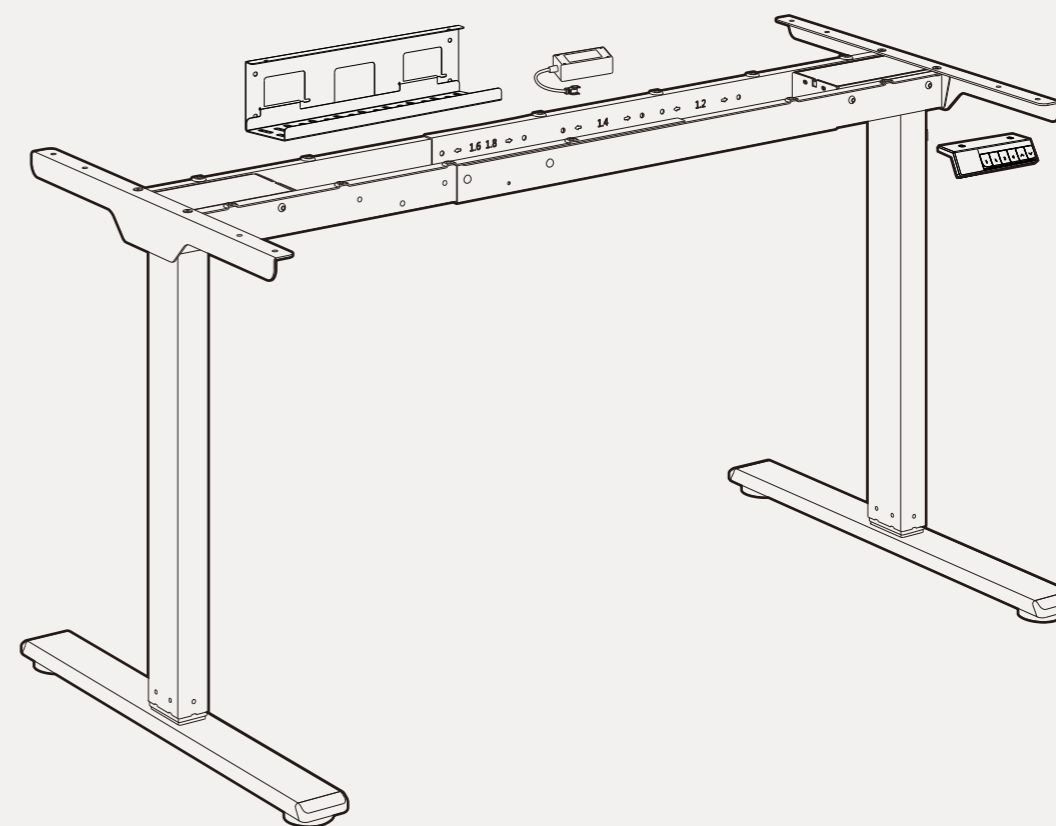
New Working New Living

Website: www.flexispot.com
Tel: 1-855-585-5618
Address: 6475 Las Positas Rd. Livermore, CA 94551



FlexiSpot

Item No. E5B-V3/E5W-V3
User Manual





Specifications

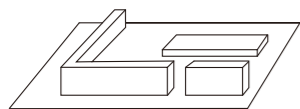
Column Stage	3
Max. Load Capacity	220lbs(100kg)
Desk Frame Width	43.94"(1116mm)\50.63"(1286mm)\58.50"(1486mm)
Max. Speed	1"/s
Lowest Height	23.62"(600mm)
Highest Height	49.21"(1250mm)
Tabletop Size	Width:47.24"-70.87"(1200mm-1800mm) Depth:23.62"-31.50"(600mm-800mm) Thickness: >0.71"(18mm)

Accessory Package

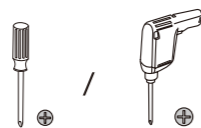
Ax8	Bx8	Cx4	Dx4	Ex4	Fx22

Note: The following line drawings are for reference only and may differ from the actual product in some cases. Please refer to the actual product. If you find any missing tools or installation problems, please contact customer service.

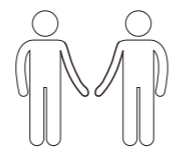
Assembly Notes



Assemble on carpet to prevent scratches



Phillips screwdriver or drill required (not provided)



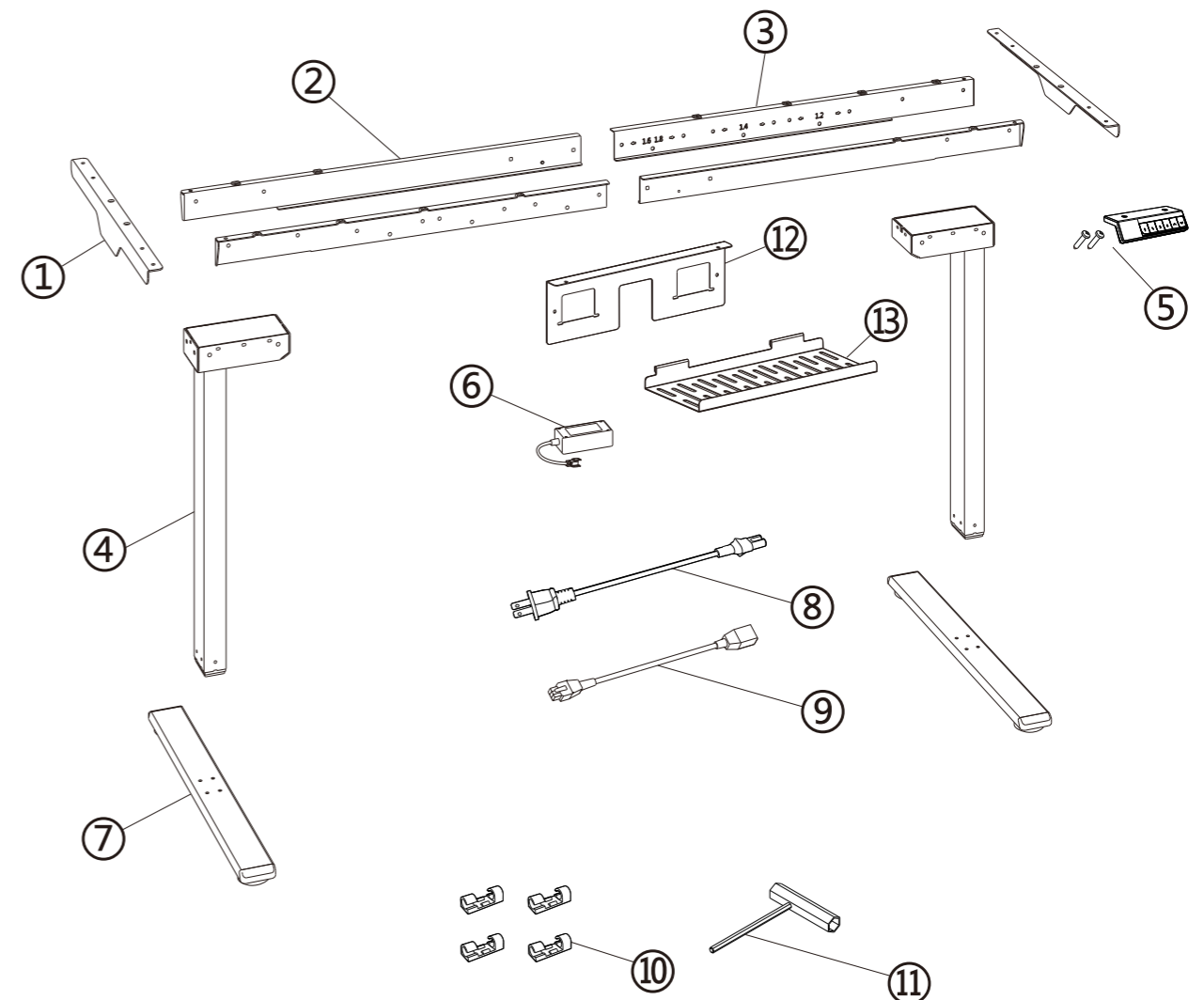
Cooperative assembly



Parts Included

No.	Part	Part	
①	Support Plate x 2	⑨	Extension Cord x 1
②	Left Beam x 2	⑩	Cable clip x 4
③	Right Beam x 2	⑪	T-type Socket Wrench x 1
④	Column x 2	⑫	Cable holder x 1
⑤	Keypad x 1	⑬	Cable tray x 1
⑥	Adapter		
⑦	Pedestal x 2		
⑧	Power Cord x 1		

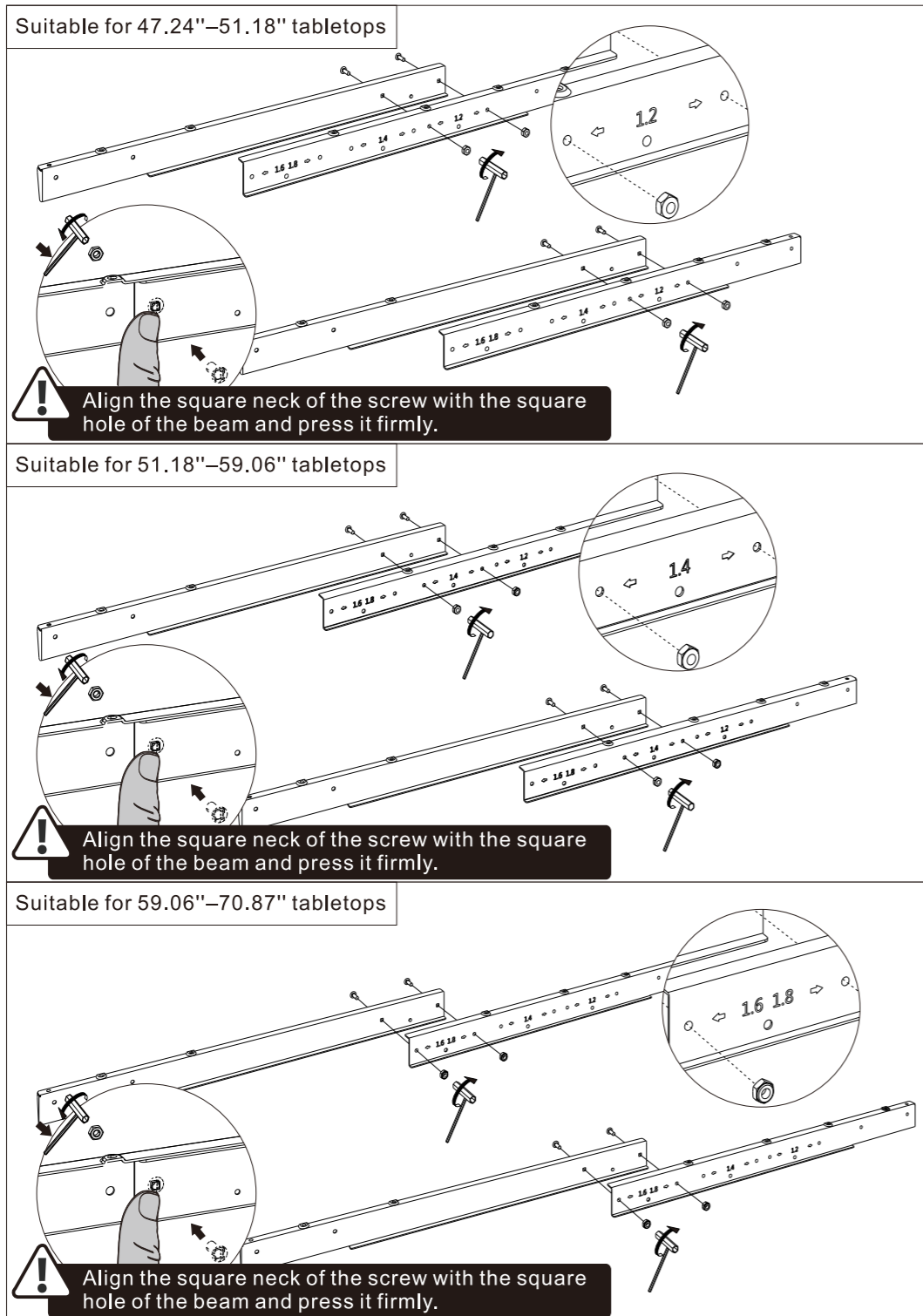
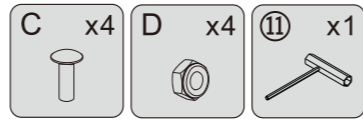
Note: The keypad screws are stored separately



Installation Steps

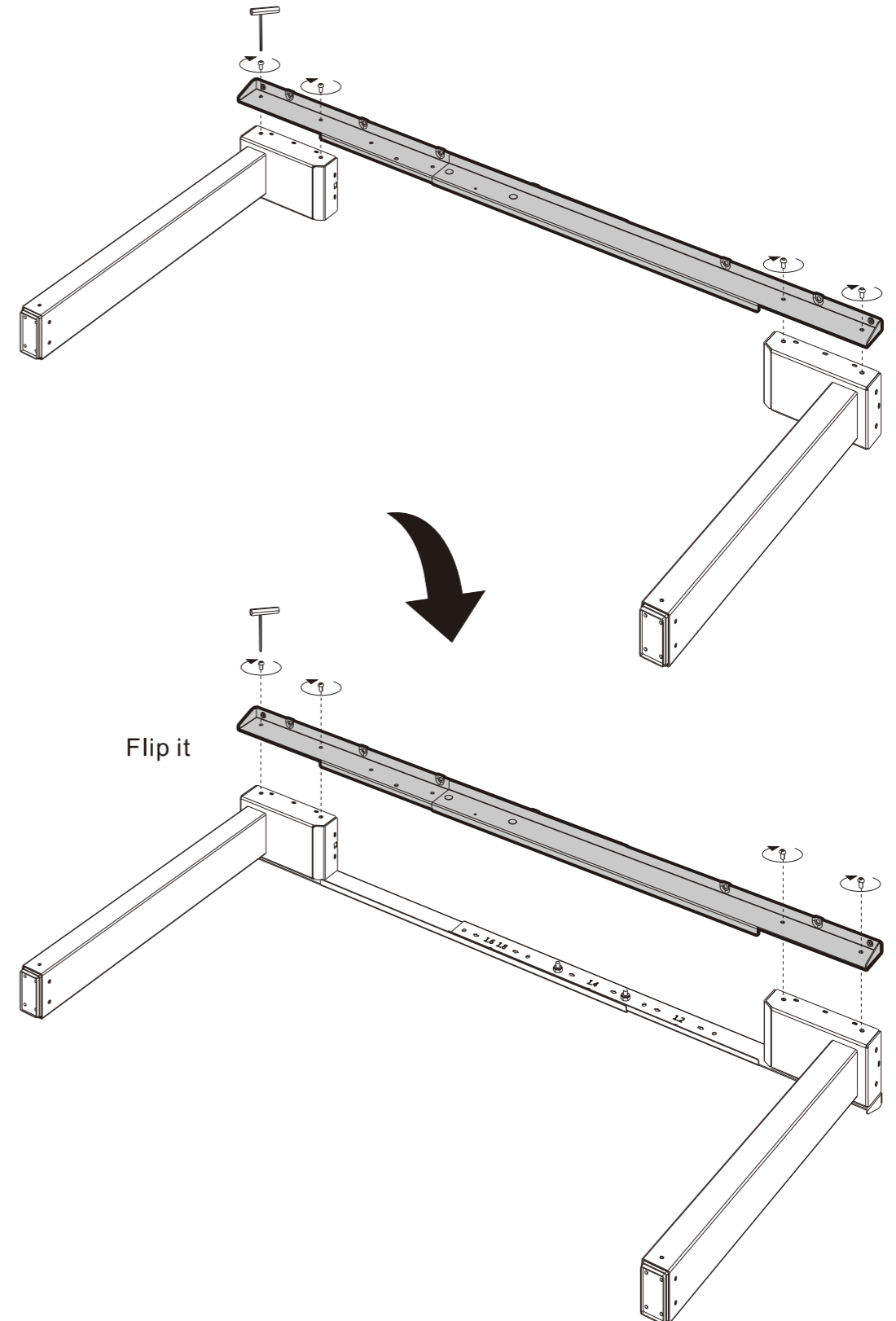
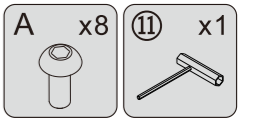
① Connect the beams

! The crossbeam has three adjustable levels. Please adjust the crossbeam to a length that matches the table top.



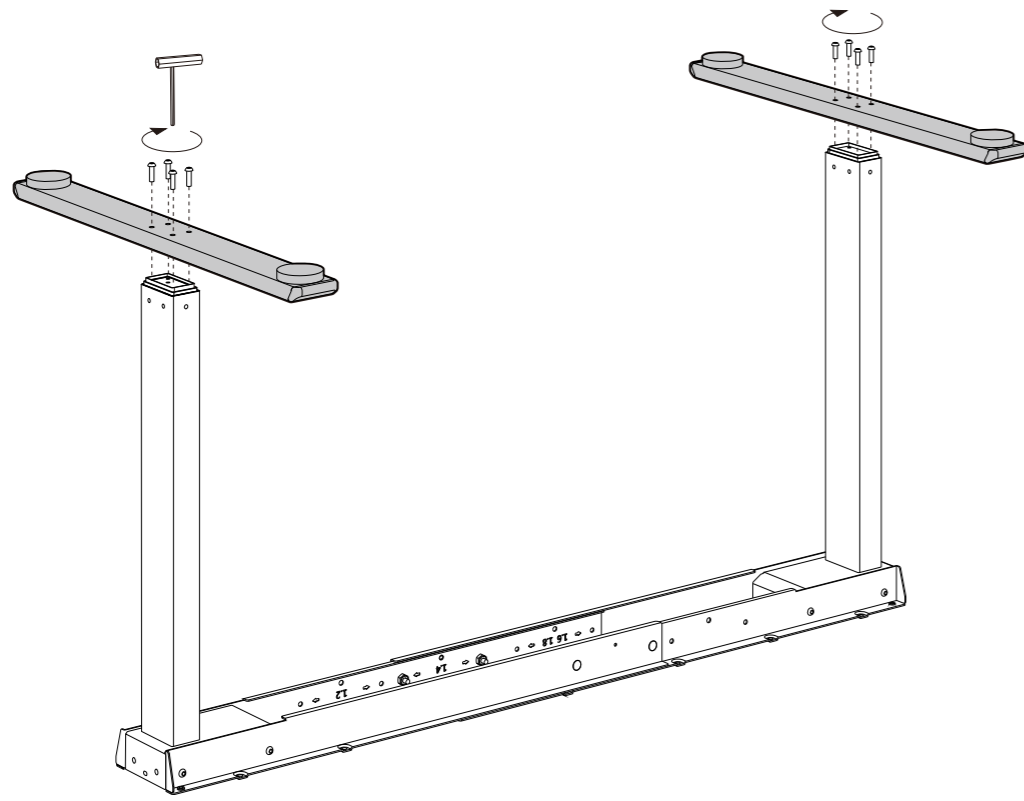
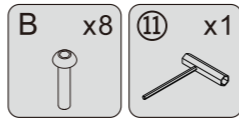
② Install the beam

! Please pre-tighten all screws for installing the crossbeam first and tighten them at the same time at the end



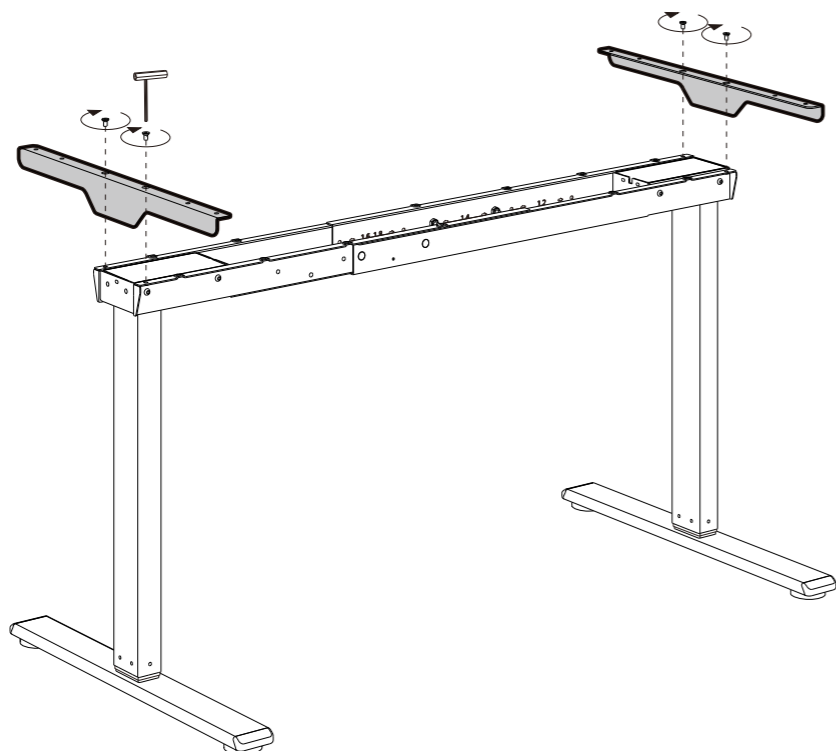
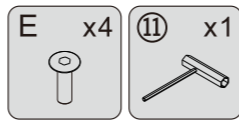
③ Install the pedestal

! When installing, pay attention to installing the diagonal screws first



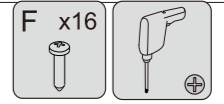
④ Install the support plate

! Please pre-tighten all the screws for installing the support plate and tighten them at the same time

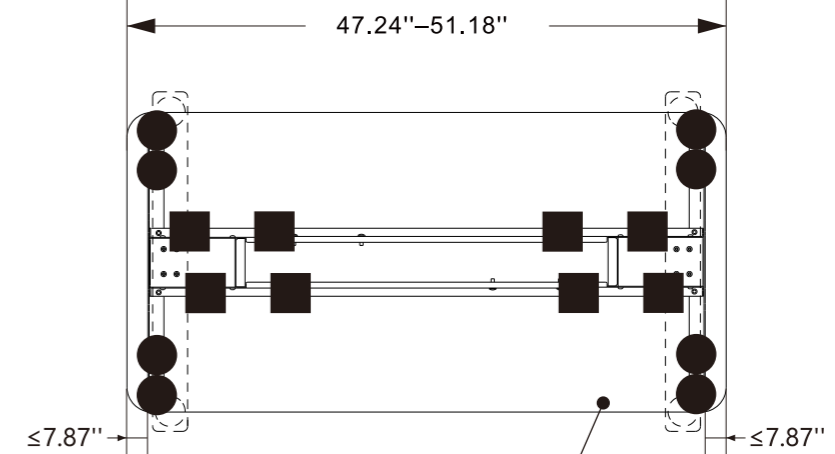


⑤ Install the tabletop

Suitable for 47.24"-51.18" tabletops



The screw installation order is: ● → ■

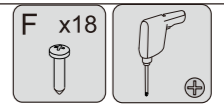


For self-provided tabletops. Please ensure that the tabletop is strong enough. 220lbs is a reference value. The actual use depends on the specific material of the board.

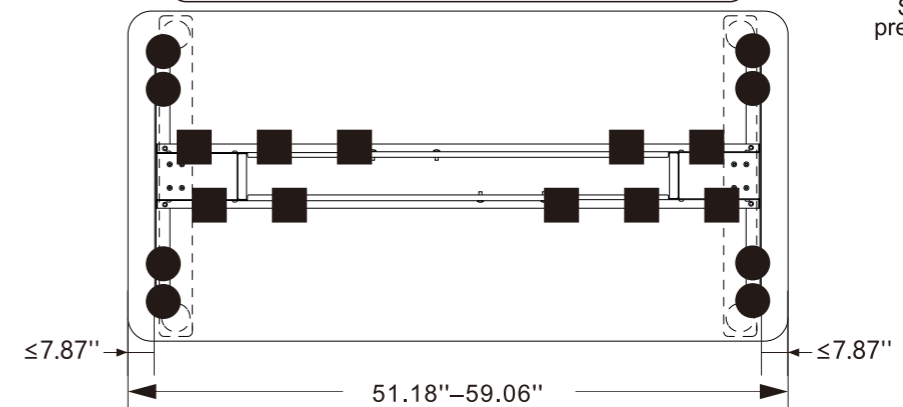
! The distance from the support plate to the edge of the tabletop should not exceed 7.87"

Self-prepared

Suitable for 51.18"-59.06" tabletops

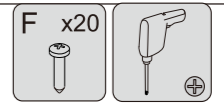


The screw installation order is: ● → ■

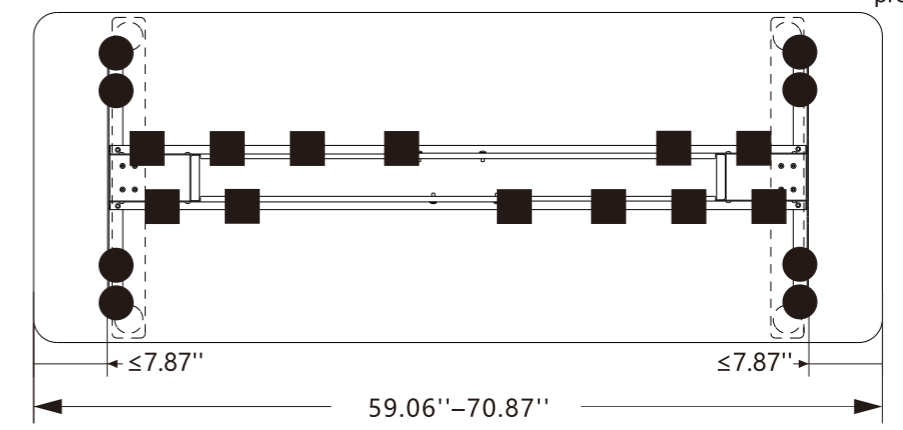


Self-prepared

Suitable for 59.06"-70.87" tabletops

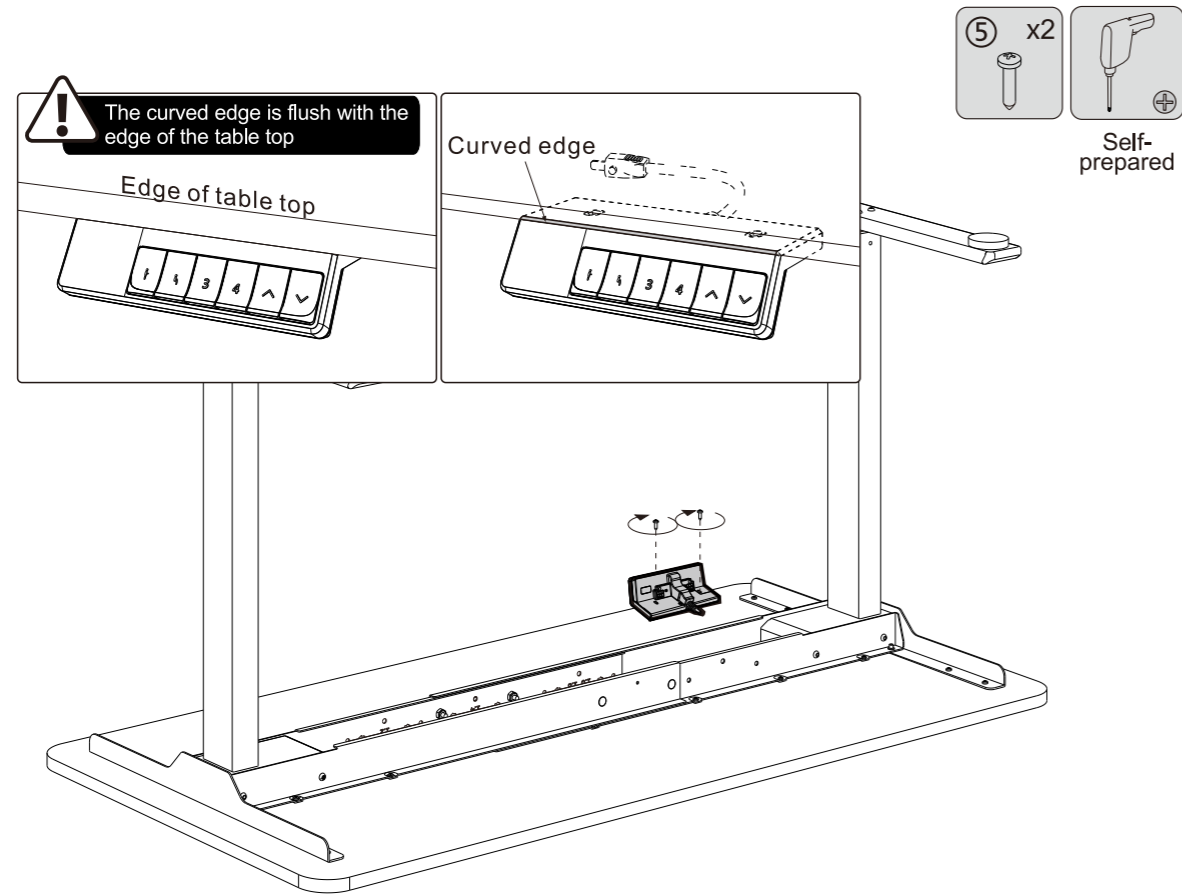


The screw installation order is: ● → ■

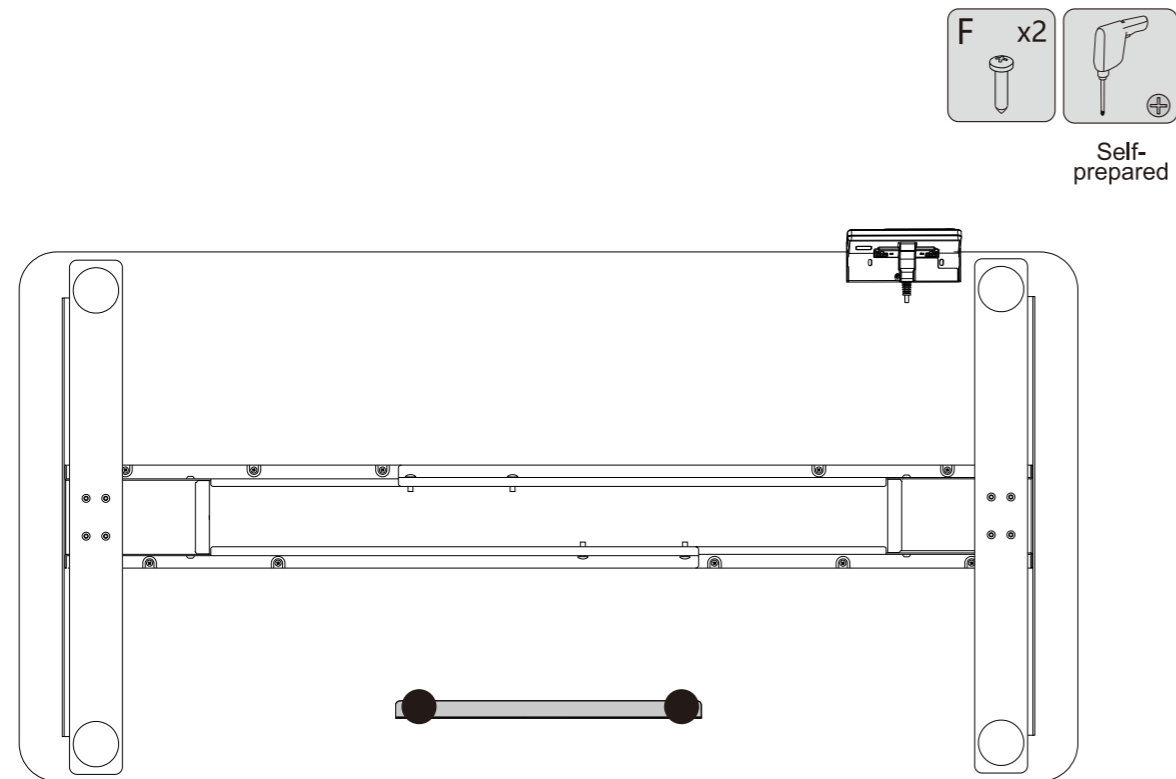


Self-prepared

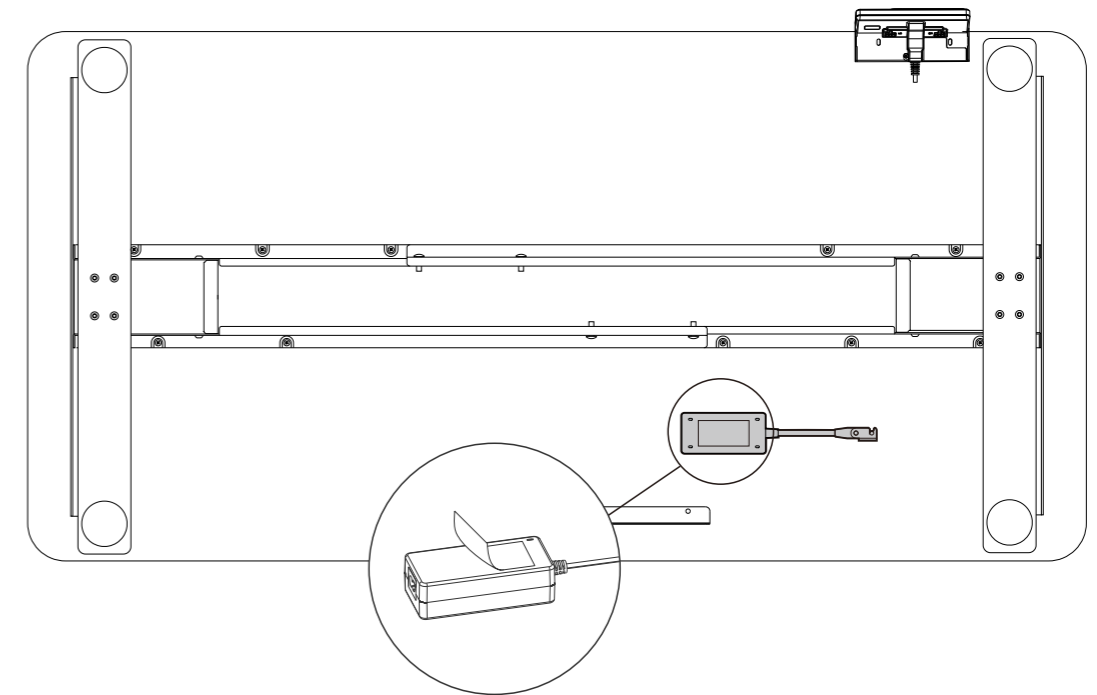
⑥ Install the keypad



⑦ Install the cable holder

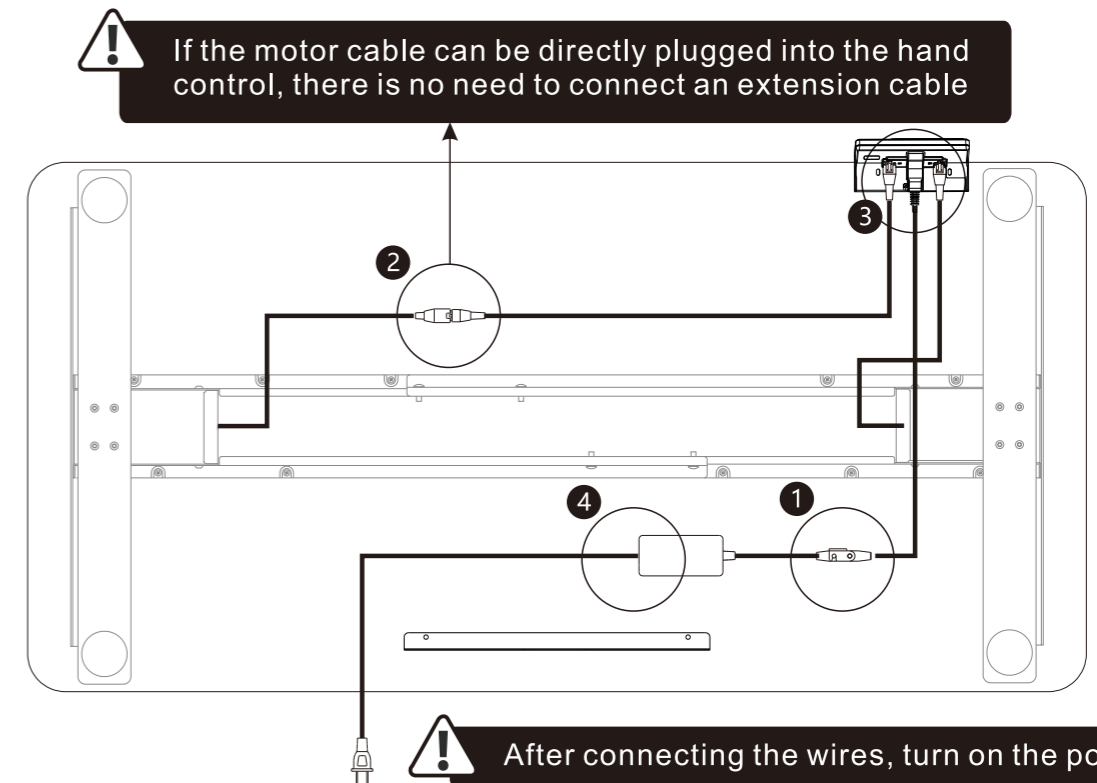


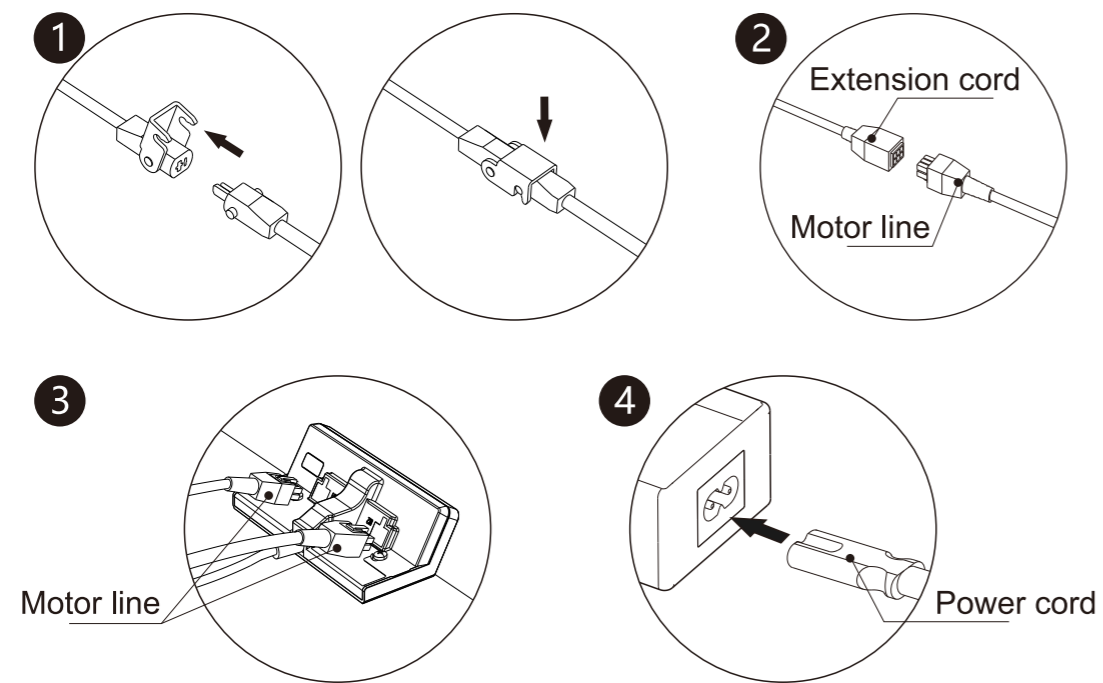
⑧ Install the adapter



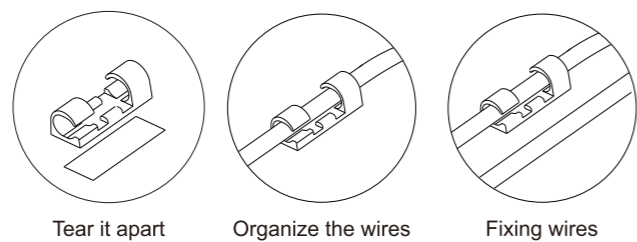
⚠ Keep the adapter on the same side as the keypad

⑨ Connect the wires

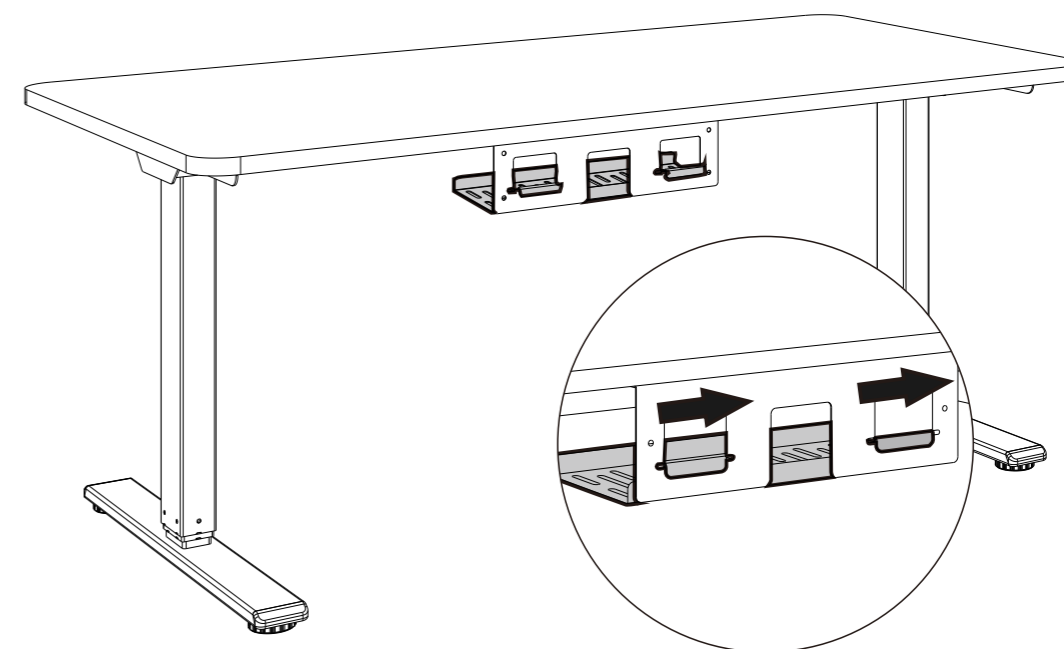




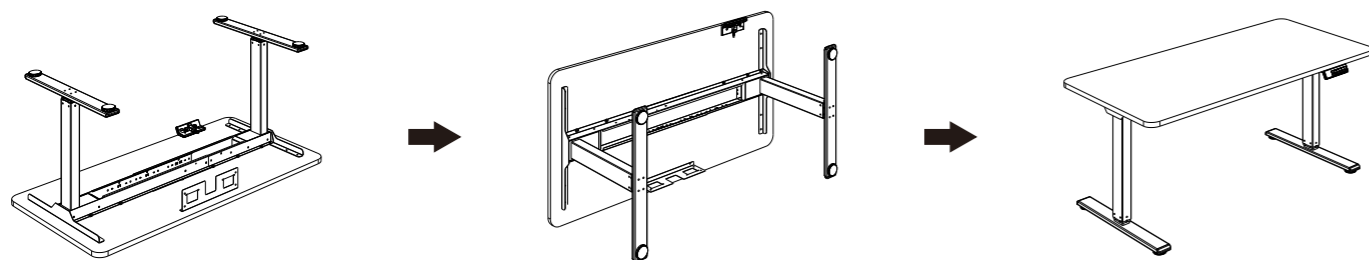
You can use cable clips to secure the cables to the tabletop to keep them tidy.



11 Install the cable tray

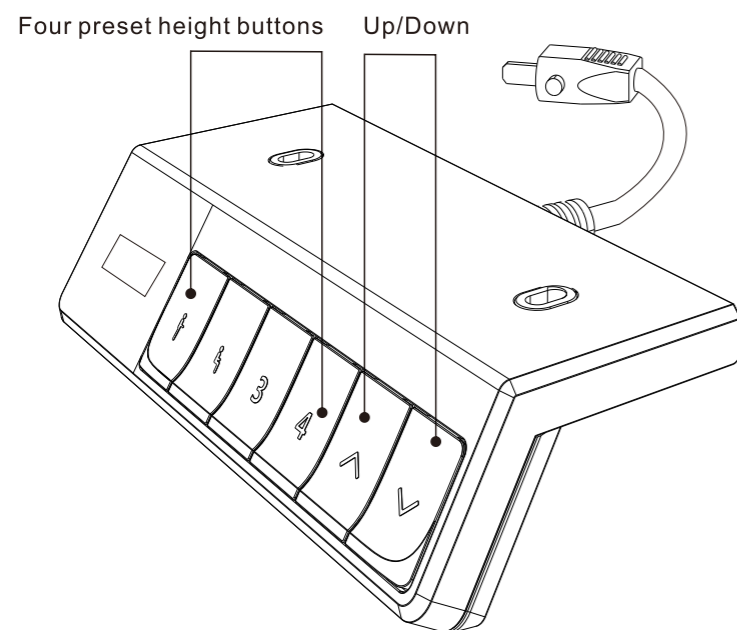


10 Flip the desk





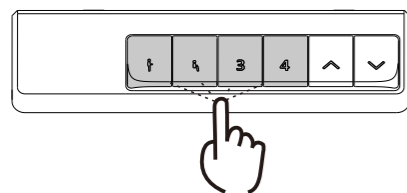
Keypad User Guide



! Please make sure there are no obstacles blocking the table during lifting and lowering, and ensure that all lines are long enough for the table to move up and down

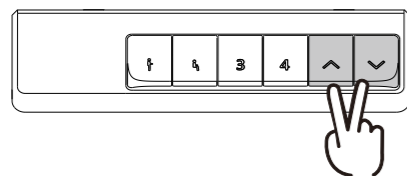
! We recommend presetting "1" for the most comfortable sitting height and "2" for the most comfortable standing height. You also have the flexibility to customize the remaining two preset heights to your preference.

● Memory height function:



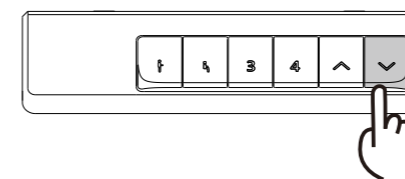
- When the desk is in a stationary state, press and hold the button "1" for three seconds, and the display screen will show "5-1", which means that the current height is successfully saved and memorized. Then move the lifting table to any height and press the button "1" to automatically move to the memorized height;
- The buttons "1", "3", and "4" all have the same memory height function as the button "1". Repeat the above steps to save the corresponding height in memory, and then click it again to automatically run to the memorized height.

● Resistance retreat sensitivity adjustment:



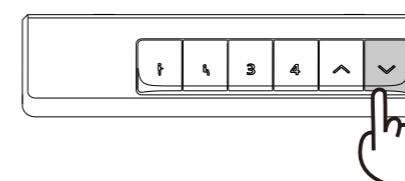
- Press and hold the "Up" and "Down" keys for 3 seconds at the same time to switch the sensitivity. One operation switches one level, and there are 4 levels in total (R-0 R-1 R-2 R-3).
- Display screen shows
 - "R-0", turn off collision avoidance;
 - "R-1", low sensitivity;
 - "R-2", medium sensitivity;
 - "R-3", high sensitivity;
- When the desk encounters an obstacle during the rising or falling process, it will immediately move back to protect it.

● Reset function:



- Press and hold the "Down" button until the desk reaches the lowest position, then release the button; then press and hold the "Down" button until the display shows the current height, then release the "Down" button to complete the reset;
- Press and hold the "3" and "4" keys at the same time for 3 seconds. When the LED display shows "r 5L", release the keys to enter the reset state. Then press and hold the "Down" down key until the number on the display shows the current height, then release the "Down" down key to complete the reset.
- When the lifting system fails, press and hold the "Down" down button, the display will show "r 5L", and the desk will continue to descend to the lowest position until the display shows the current height. Release the "Down" down button and the reset is complete.

● Code processing:



- If "E01" or "E02" appears, please let the lift table rest for more than 18 minutes before using it normally.
- If other codes appear and there is no response when pressing the "Down" down key, please make sure that the connecting wire is not damaged and the connection is normal, and then turn off the power for more than 10 seconds, then turn on the power again. When the display shows "r 5L", press and hold the "Down" down key to reset.
- If after performing the above steps, the desk still does not function properly, please contact customer service.

Resolving Common Issues

The following tips will help you detect and eliminate common anomalies and errors. If you encounter an anomaly that is not listed in the table below or cannot be resolved by following the following actions, please contact your supplier. All of these anomalies or errors can only be investigated and corrected by the manufacturer or specially trained personnel.

Issue	Solution
Electronic functions are not working properly	Check the cable connection;
Slow ascent	Check whether the desk load is too heavy (over 220 lbs);
Desktop slips during ascent	
Keypad often goes into reset state	
The desk only able to move downward / upward.	Reset the desk;
Desk does not rise or lower the full distance	
The bottom cannot rise	
After operating beyond the duty cycle limit. (Duty cycle:Max 2min on/18min OFF)	Power off for 18 minutes and then reconnect the power;
When pressing the down key,the device goes up instead	Check if there are any obstacles or hanging cables under the table.

Attention

- Power supply: AC100V-240V, frequency 50/60HZ;
- Working environment: 0 - 40°C;
- Before cleaning, you have to unplug the power supply cable. Clean with a slightly damp cloth to wipe away the surface dust. Keep all electrical components away from liquids. Do not damage the connection line and keep the plug in a safe position. Please check the screws regularly to see if they are loose and tighten them.
- Inside the control box, there are electronic components, metal parts, plastic parts, wires and so on. They should be disposed in accordance with the local laws and regulations. They cannot be disposed as household waste.
- Before using the product, please carefully check to make sure that the product has been installed correctly. Only accessories provided by the manufacturer can be used for product installation. When placing the product, please leave enough safety clearance to avoid the risk of pinching.
- Before using the product for the first time, please familiarize yourself with all the functions and program settings of the product.
- Keep children away from electric height-adjustable desks, control units and handsets. Manufacturer is not responsible of any damages that result from children's unpredictable behaviour.
- Slight noise caused by the multi wedge belt or brake system will not impact the use of this product.
- Do not use corrosive or abrasive materials to clean this product and please dispose of cleaning solutions in an environmentally friendly manner.
- Operate with knowledge of the relevant dangers. Children aged 14 or under and people with physical sensory impairments or mental disabilities should use the product under proper supervision and guidance. Children are not allowed to touch or play with the product at will.
- Cleaning and user maintenance must not be performed by children without supervision.
- If the power cord is damaged, it must be replaced by the manufacturer or relevant professionals to avoid injury.
- Please make sure that your operating environment is free of any sources of danger, for example do not leave your tools lying around. And always handle packaging materials with care to avoid any possible dangers, such as children playing with plastic bags, which could cause suffocation.
- When moving, please ensure that there is nothing on the table, drawers and doors are closed securely, screws are tightened and not loose, unplug the power plug, and move with more than 2 people. If necessary, please keep the original packaging of the equipment for future transportation.
- When storing for a long time, please unplug the device, remove any items that may fall off, and place it in a cool and dry place.
- This product contains some small parts. If swallowed accidentally, there will be a choking hazard. Please keep these small parts away from children.

Recycling and Disposal



This product cannot be disposed of as household waste. To prevent damage to the environment, this product should be recycled. Please use the relevant recycling systems available to you or contract the distributor or manufacturer for recycling assistance.

FlexiSpot Limited Warranty

This limited warranty offered by FlexiSpot covers defects in material or workmanship in new FlexiSpot products. This warranty extends to the original purchaser only and is non-transferable. Only consumers purchasing FlexiSpot products from authorized FlexiSpot retailers or resellers may benefit from our limited warranty.

What is Covered?

The FlexiSpot limited warranty covers our products against defects in material or workmanship as follows:

·FlexiSpot Height Adjustable Desk Frames

15 years: all metal and mechanical parts and components, including motors and electrical components of FlexiSpot Standing Desk E7 series.

10 years: all metal and mechanical parts and components, including motors and electrical components of FlexiSpot Standing Desk E5 series.

5 years: all metal and mechanical parts and components, including motors and electrical components of all other height adjustable desk except for E5, E7 series.

·FlexiSpot Sit-Stand Desktop Workstations

All standing desks purchased on or after October 5, 2016 include a 5-year warranty for the frame, medium-fiber desktop and mechanisms.

·FlexiSpot Desk Bikes

All desk bikes purchased on or after October 5, 2016 include a 3-year warranty for the frame, and a 1-year warranty for the electronics and other mechanisms.

·FlexiSpot Mini Steppers

All desk bikes purchased on or after October 5, 2016 include a 1-year warranty for the frame, and other mechanisms.

·Accessories

All monitor mounts purchased on or after October 5, 2016 include a 5-year warranty for the arms, 3-year warranty for gas spring system and mechanisms.

What are your Remedies?

FlexiSpot will replace at no charge to the consumer the defective parts only or, at FlexiSpot's option, replace any product or part of the product that is defective because of improper workmanship and/or material, under normal installation, use, service and maintenance. If FlexiSpot is unable to provide a replacement and repair is not practical or cannot be completed in a timely fashion, FlexiSpot may elect to refund the purchase price in exchange for the return of the product. In the rare event that your FlexiSpot product is defective, we will provide you with a replacement item shipped at no cost to you within the continental United States. The shipping method for replacement products is FedEx Ground, but expedited shipping is available if you choose to pay the additional expense. In addition, you will need to pay the shipping costs if any products need to be shipped to you at an address outside the continental United States.

REPAIR OR REPLACEMENT (OR, IN LIMITED CIRCUMSTANCES, REFUND OF THE PURCHASE PRICE) AS PROVIDED UNDER THIS WARRANTY IS THE EXCLUSIVE REMEDY OF THE PURCHASER. FLEXISPOT NEITHER ASSUMES NOR AUTHORIZES ANY PERSON TO CREATE FOR IT ANY OTHER OBLIGATION OR LIABILITY IN CONNECTION WITH THIS PRODUCT.

FlexiSpot Limited Warranty

What is Not Covered?

Our limited warranty does not cover any problem that is caused by:

1. Conditions, malfunctions or damage not resulting from defects in material or workmanship.
2. Conditions, malfunctions or damage resulting from normal wear and tear, improper installation, improper maintenance, misuse, abuse, negligence, accident or alteration.
3. Accessories, connected materials and products, or related products not manufactured by FlexiSpot.
4. Conditions, malfunctions or damage resulting from failure to follow the instructions and guidelines relating to the product's intended use.

Our limited warranty is void if a product is returned with removed, damaged or tampered labels or any alterations (including removal of any component or external cover).

How to File a Claim?

In order to receive the benefit of our limited warranty, you need to process your claim in compliance with the terms of this limited warranty and follow proper return procedure. To request warranty service, please contact customer service via email at contact@FlexiSpot.com or toll free at 1-855-585-5618. You will need to provide the sales receipt or other evidence of the date and place of purchase for your FlexiSpot product.

Implied Warranties and Limitation of Damages

EXCEPT TO THE EXTENT PROHIBITED BY APPLICABLE LAW, ALL IMPLIED WARRANTIES (INCLUDING WARRANTIES OF MERCHANTABILITY AND FITNESS FOR A PARTICULAR PURPOSE) SHALL BE LIMITED IN DURATION TO THE DURATION OF THIS WARRANTY, AND FLEXISPOT SHALL NOT BE LIABLE FOR ANY INCIDENTAL, INDIRECT, SPECIAL, OR CONSEQUENTIAL DAMAGES, INCLUDING BUT NOT LIMITED TO LOSS OF PROFITS OR REVENUE, RESULTING FROM ANY BREACH OF EXPRESS OR IMPLIED WARRANTY OR CONDITION, OR UNDER ANY OTHER LEGAL THEORY, EVEN IF FLEXISPOT HAS BEEN ADVISED OF THE POSSIBILITY OF SUCH DAMAGES. Some jurisdictions do not allow limitations on the duration of an implied warranty or the exclusion or limitation of special, indirect, incidental or consequential damages, so the above limitations or exclusions may not apply to you.

Governing Law

This Warranty shall be governed by the laws of the State of California, USA, without giving effect to any conflict of laws principles that may provide the application of the law of another jurisdiction.

How State Law Applies

This Warranty gives you specific legal rights, and you may also have other rights which vary from state to state.